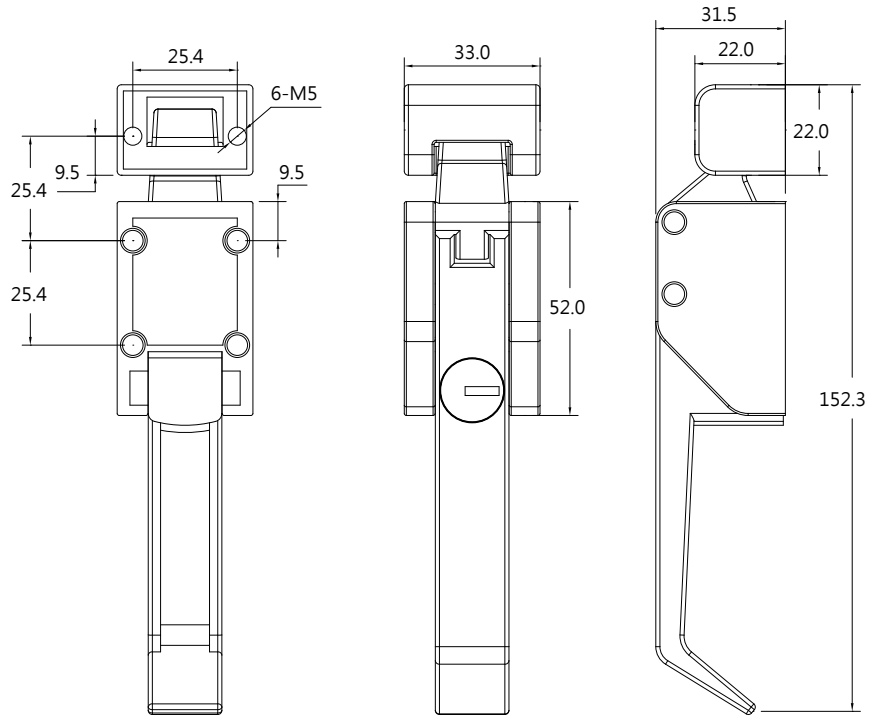
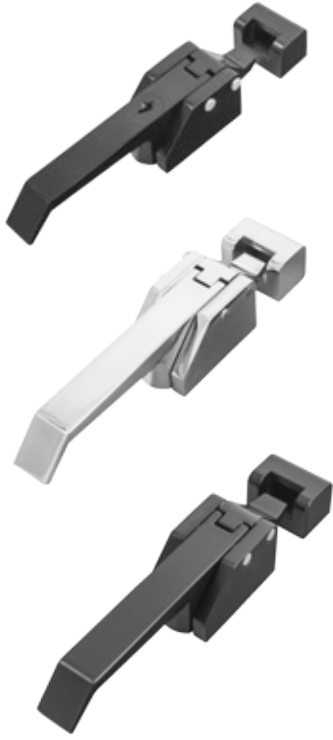


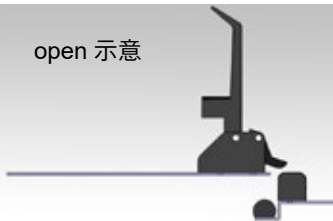
CTZ-6150 槓桿型壓縮式門扣 Over-Canter Lever Latch



close 示意



open 示意



產品型號 Item No.	材質 Material	表面處理 Finish	鎖芯 Lock
CTZ-6150-BK-1	鋅合金 (ZDC)	黑色塗裝 Black	有 With Lock
CTZ-6150-BK-2			無 Without Lock
CTZ-6150-CR-1		鍍鉻 Chrome	有 With Lock
CTZ-6150-CR-2			無 Without Lock

訂購說明 Ordering Instructions

CTZ-6150- □□□ - □

↓ ↓
表面顏色 是否附鎖
(Color) (With Lock Or Without Lock)

特點 Feature

高強度；安裝及操作簡便，利用槓桿原理使鎖舌在扣座上產生強大的力矩，加強緊迫效果

Combining strength, ease of installation, and simplicity of operation, The single-motion opening action of latch applies built-in leverage against the keeper to provide mechanical advantage to help pry stuck doors open.

最大工作附載 2000 N (200KG)
(400 lbs)