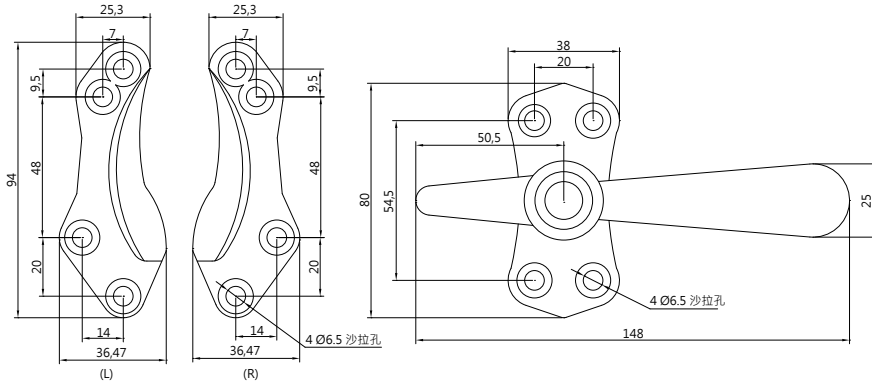


SLS-2116 不鏽鋼密閉式手柄 Stainless Steel Air Tightness Handle



特點 Feature

- 可強力密閉
- Powerful airtight closure is provided
- 具有良好的耐腐蝕性
- Corrosion-resistant Stainless Steel is used
- 有左右開門區分
- The left-hand or right-hand use.

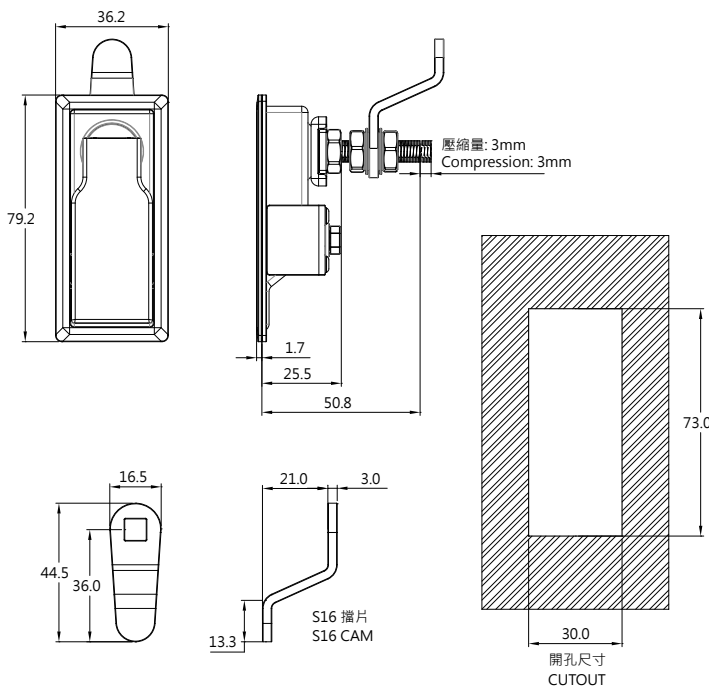
產品型號 Item No.	材質 Material	表面處理 Finish
SLS-2116-R(右邊開門) (Right-Side Open)	不鏽鋼 304 Cast Stainless Steel (SUS304)	鏡面拋光 Mirror surface buffing
SLS-2116-L(左邊開門) (Left-Side Open)		

訂購說明 Ordering Instructions

SLS-2116- □

↓
開門方向 (Direction)

SLS-731 不鏽鋼提轉型壓縮式門鎖 Stainless Steel Lift & Turn Compression Latch



特點 Feature

- 雙重功能 - 壓縮式門鎖和門把手 - 在一個組件。容易安裝、操作。只要拉起手柄就能釋放壓縮，轉動就將門擋片從門框中旋轉出來。多種門擋片選項和可調整的門擋片定位 - 門鎖型號可適應多種多種間距尺寸 抗腐蝕結構與材質，即便是安裝於室外，也能保持門扣的外觀與功能不變。
- Dual function - compression latch and door handle - in one assembly. Easy to install and easy to operate. Simply lift the handle to release the compression, and turn it to rotate the cam out from behind the frame. Multiple cam options and adjustable cam positioning enable a single latch model to accommodate a wide variety of grip dimensions
- Corrosion-resistant construction keeps them functional and looking beautiful for a long time, even in outdoor applications.

產品型號 Item No.	材質 Material	表面處理 Finish
SLS-731	不鏽鋼 304 Stainless Steel 304	髮絲紋拋光 Hair-Line Surface Treatment