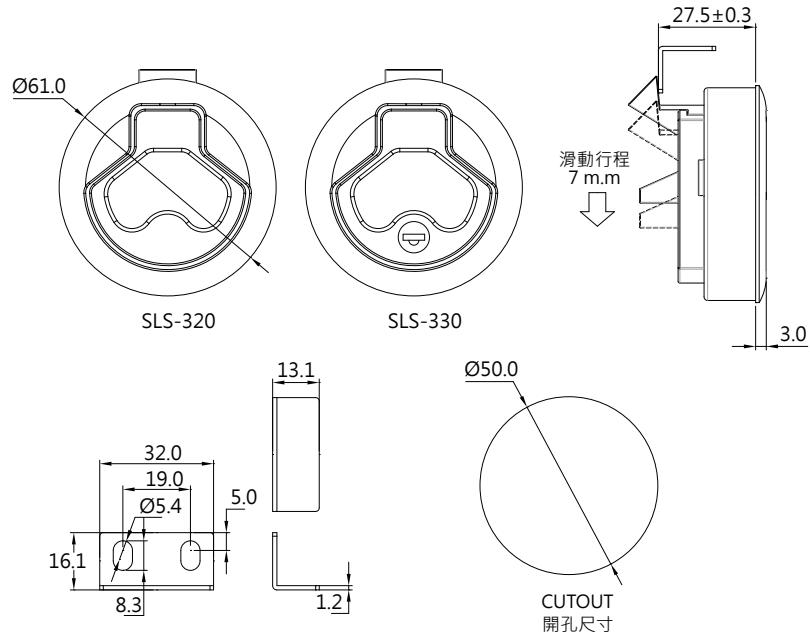




SLS-320 & SLS-330 不鏽鋼圓型拉環式門鎖 Stainless Steel Push-To-Close Latch



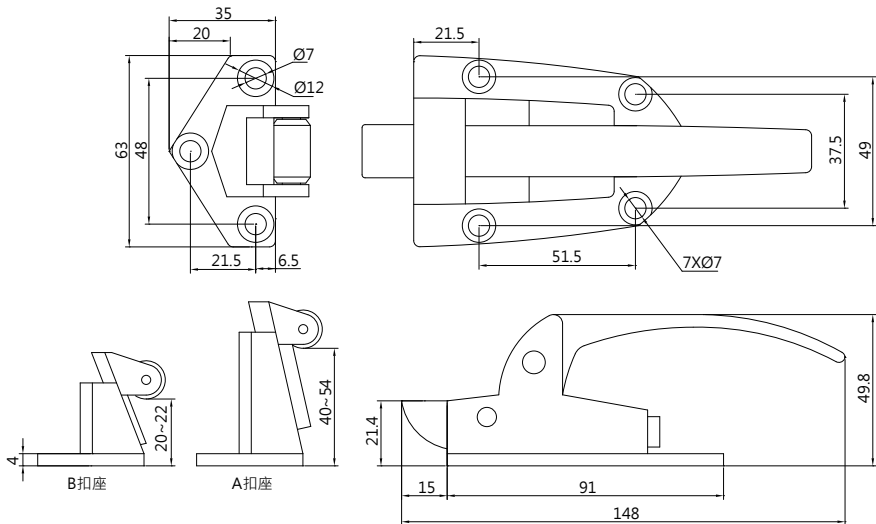
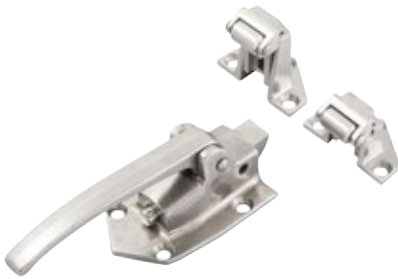
特點 Feature

嵌入式安裝，拉環形手柄，隱藏式組件安裝讓此門扣外觀美觀大方。高質感與方便的按壓式啟閉功能。抗腐蝕結構與材質，即使是安裝於室外，也能保持門扣的外觀與功能不變。

Attractive flush-mount styling, a recessed handle, and concealed mounting hardware give these latches an appealing look. A solid feel and push-to-close convenience give them appealing functionality. And corrosion-resistant construction keeps them functional and looking beautiful for a long time, even in outdoor applications.

產品型號 Item No.	材質 Material	表面處理 Finish	鎖芯 Lock
SLS-320	不鏽鋼 316 Cast stainless steel (SUS316)	鏡面拋光 Mirror surface buffing	無 Without Lock
SLS-330			有 With Lock

SLS-52 不鏽鋼密閉式手柄 Stainless Steel Lever Latches



特點 Feature

結構牢固，即使激烈的啟閉也安然如故，採用不鏽鋼材質，耐腐蝕性能優異。

Durable construction for hard use of door locking/ unlocking. Corrosion-resistant stainless steel is used.

扣件有兩種高度可選配，亦可微調扣件高度

Two kinds of fittings, can adjust height

產品型號 Item No.	材質 Material	表面處理 Finish
SLS-52	不鏽鋼 304 Cast Stainless Steel (SUS304)	震動研磨 Vibration ground (可訂製拋光品) Can customize polished product