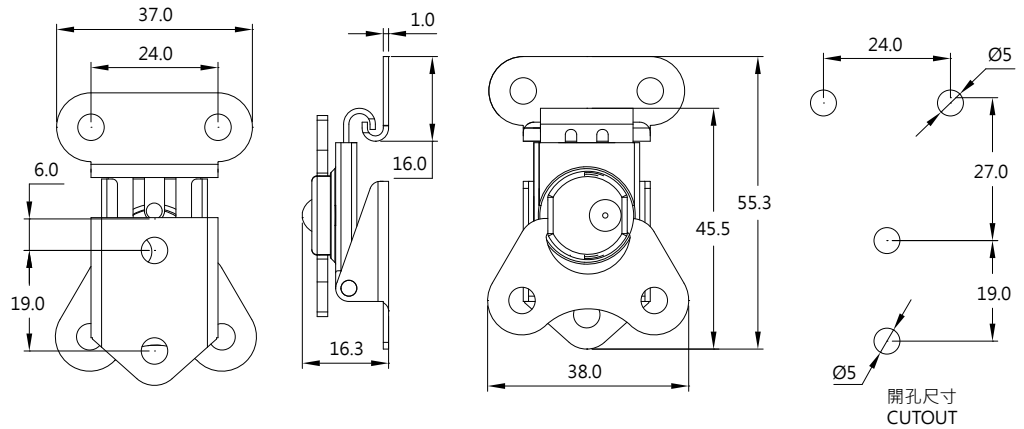


TSL-153 SERIES 旋轉型拉動式搭扣 Rotary Draw Latch

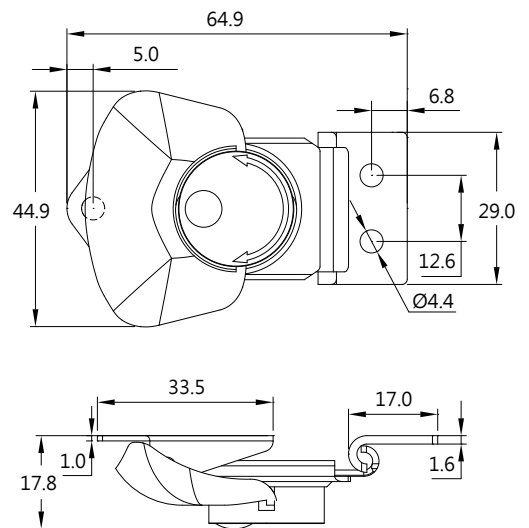
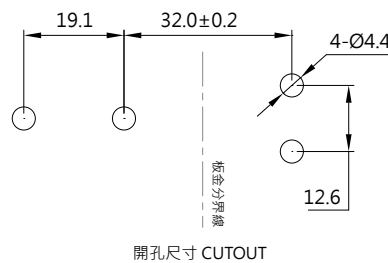


特點 Feature

金屬結構，耐用的旋轉鎖舌設計與準確的拉動設置，能給予牢固的拉緊力以防止門板的意外開啟。
All metal construction, a durable rotary cam design, and good pull-up specifications give a firm grip for consistent panel closure that resists accidental opening.

產品型號 Item No.	材質 Material	表面處理 Finish
TSL-153-ST	鋼鐵 Steel	鍍鋅 Steel-Zinc Plated
TSL-153-SUS	不鏽鋼 304 Stainless Steel 304	震動研磨 Vibration Grind

TSL-156 SERIES 旋轉型拉動式搭扣 Rotary Draw Latch



特點 Feature

金屬結構，耐用的旋轉鎖舌設計與準確的拉動設置，能給予牢固的拉緊力以防止門板的意外開啟。
All metal construction, a durable rotary cam design, and good pull-up specifications give a firm grip for consistent panel closure that resists accidental opening.

產品型號 Item No.	材質 Material	表面處理 Finish
TSL-156-ST	鋼鐵 Steel	黑色塗裝 Black
TSL-156-SUS	不鏽鋼 304 Stainless Steel 304	震動研磨 Vibration Grind