



Typ EE-07



Handle Series

EE-05

EE-06

EE-07

Collapsible stainless steel handles with small installation depth.

Material and surface:

Stainless steel high gloss electropolished, material no. 1.4301.

Design features:

With pull-back spring from the working to the resting position.

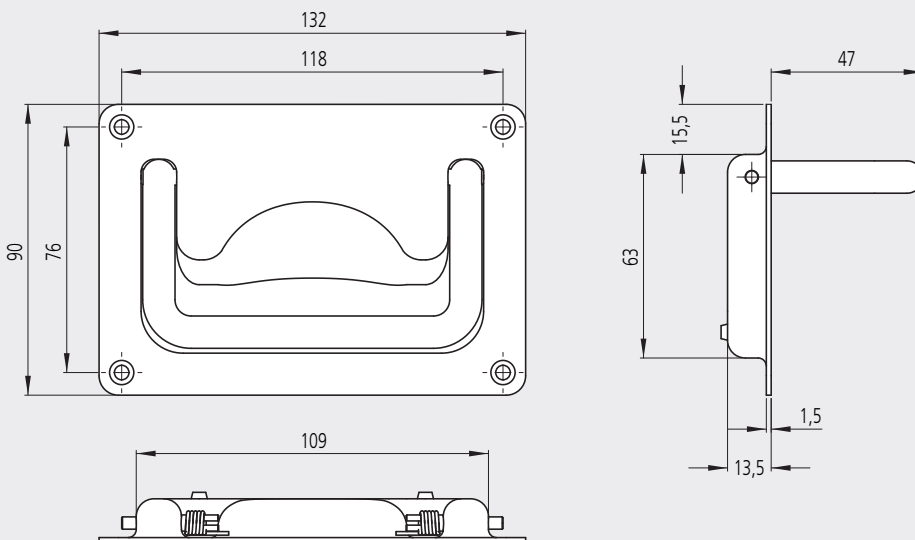
Stress resistance:

EE-05 min. 200 N

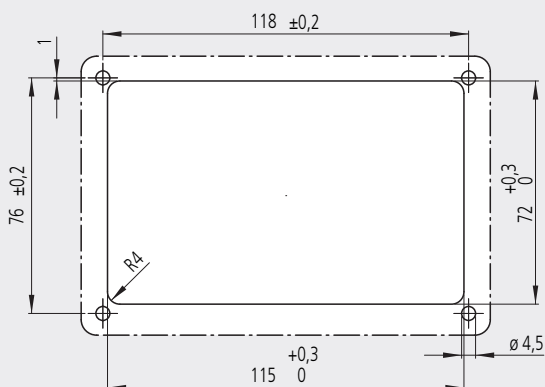
EE-06 min. 200 N

EE-07 min. 800 N

Typ EE-07



Montageöffnung Mounting cutout



Bestell-Nr. / Order no.

EE-07.118.39