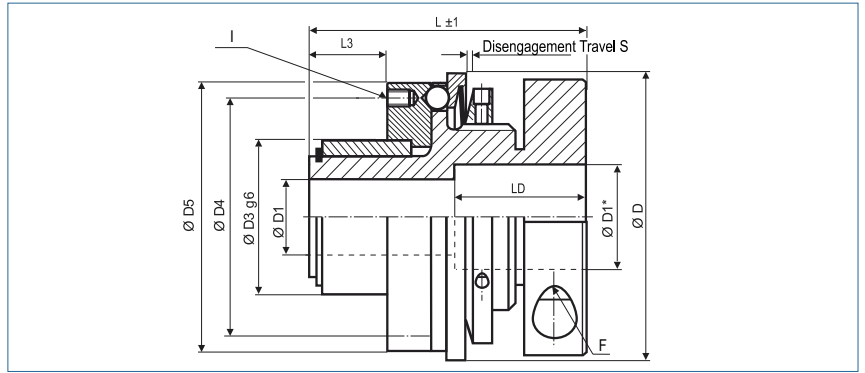
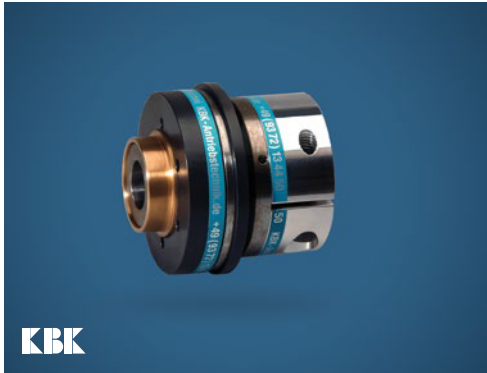


## Safety Coupling

with collet clamp

optional  
nickel-plated version  
optional full stainless  
steel version



Order Code

**KBK/CK - 60 - 20H7 - 20Nm - C or D - 2**

Type      Size      ØD1 (H7)      Disengagement Torque      Torque Range

C = Single Position    D = Multi Position Engagement

| Size | Dimensions (mm) |                        |      |      |      |        |    |     |    |                       | Technical Data |            |                    |           |                              |
|------|-----------------|------------------------|------|------|------|--------|----|-----|----|-----------------------|----------------|------------|--------------------|-----------|------------------------------|
|      | ØD              | Ø D1                   | Ø D3 | Ø D4 | Ø D5 | L      | L3 | S   | I  | F                     | Torque Range   |            | max. speed (1/min) | Mass (kg) | Moment of Inertia J (kg cm²) |
|      | Outer Ø         | Bore Size (H7) min~max |      |      |      | Length |    |     | 6x | Screw ISO4762 TA (Nm) | 1 TKN (Nm)     | 2 TKN (Nm) |                    |           |                              |
| -2   | 29              | 3-6                    | 14   | 19   | 25   | 35     | 6  | 0.7 | M2 | M3<br>2               | 0.2-1.5        | 0.5-2      | 13200              | 0.06      | 0.05                         |
| -4.5 | 36              | 6-12<br>8#             | 20   | 26   | 32   | 36     | 7  | 0.7 | M2 | M4<br>3.5             | 1-3            | 3-6        | 12300              | 0.12      | 0.20                         |
| -7   | 49              | 6-16<br>11#            | 24   | 30   | 47   | 44     | 8  | 0.7 | M3 | M4<br>5.1             | 1-4            | 3-7        | 12000              | 0.18      | 0.4                          |
| -10  | 49              | 6-16<br>11#            | 24   | 30   | 47   | 44     | 8  | 0.7 | M3 | M4<br>5.1             | 3-7            | 5-10       | 12000              | 0.18      | 0.4                          |
| -30  | 64              | 10-20<br>14#           | 30   | 46   | 60   | 59     | 9  | 1.2 | M4 | M6<br>15              | 5-15           | 10-30      | 9400               | 0.59      | 2.4                          |
| -60  | 79              | 12-25<br>18#           | 36   | 50   | 75   | 76     | 16 | 1.2 | M5 | M8<br>36              | 13-35          | 20-65      | 7800               | 1.05      | 6.4                          |
| -80  | 94              | 14-35<br>27#           | 48   | 65   | 90   | 79     | 22 | 2   | M6 | M10<br>84             | 15-40          | 30-80      | 6400               | 2.4       | 21                           |
| -150 | 94              | 14-35<br>27#           | 48   | 65   | 90   | 79     | 22 | 2   | M6 | M10<br>84             | 50-130         | 65-150     | 6400               | 2.4       | 21                           |
| -200 | 109             | 22-40<br>32#           | 52   | 70   | 105  | 91     | 25 | 2   | M6 | M12<br>125            | 30-90          | 80-200     | 5500               | 3.0       | 35                           |
| -300 | 119             | 30-46<br>38#           | 58   | 76   | 115  | 101    | 31 | 2   | M8 | M12<br>145            | 60-200         | 150-300    | 5000               | 4.4       | 66                           |
| -500 | 129             | 35-50<br>41#           | 66   | 110  | 125  | 134    | 33 | 2   | M8 | M12<br>145            | 80-250         | 200-500    | 4500               | 6.4       | 113                          |

|                          |  |
|--------------------------|--|
| <b>Bore</b>              | > Ø D1 and ≤ D1* only over LD                          |
| <b>Keyway</b>            | optional acc. DIN 6885<br>biggest bore marked with a # |
| <b>Temperature Range</b> | -30 °C ~ 120 °C  |

| Size       | 2  | 45 | 7  | 10 | 30 | 60 | 80 | 150 | 200 | 300 | 500 |
|------------|----|----|----|----|----|----|----|-----|-----|-----|-----|
| <b>D1*</b> | 11 | X  | 20 | 20 | 26 | 31 | 38 | 38  | X   | 57  | 62  |
| <b>LD</b>  | 15 | X  | 20 | 20 | 28 | 38 | 34 | 34  | X   | 42  | 56  |