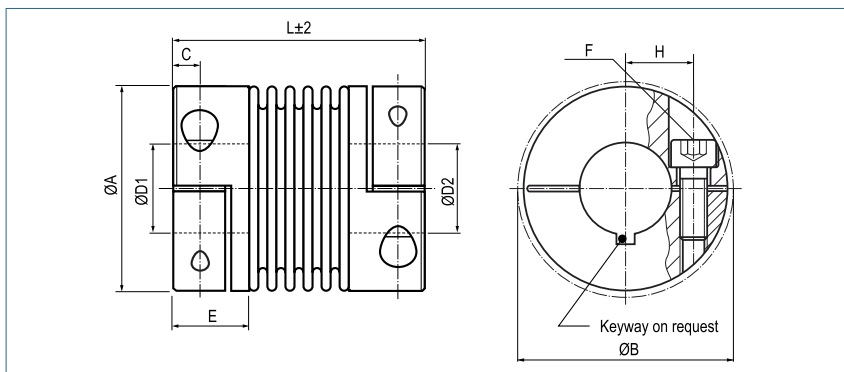


Metal Bellows Coupling compact

with Collet Clamps

optional
laserwelded
optional full stainless
steel version



Order Code

KB4C / 60 - 67 - 12 - 32 - (S)

Type / Size

Length
L

ØD1
(H7)

ØD2
(H7)

Options

| Size | Torque TKN (Nm) | Dimensions (mm) | | | | | | | | Technical Data | | | | | | | | |
|------|-----------------------|-----------------|------------|-------------------------------|----|------|------|------|-------------------------------|----------------|-------------------------------------|---------------------------------|------------------------|-----------------------|-----------------------|----------------------|-----------------------|------------------------|
| | | L | Ø A | D1/D2 | H | C | E | B | F | Mass (kg) | Moment of Inertia J (g m²) | Spring Stiffness | | | Misalignment | | | max. speed min-1 |
| | | Length | Outer Ø | Bore Sizes (H7) min~max | | | | | Screw (ISO4762) TA (Nm) | | | torsional CT 10³ (Nm/rad) | radial CR (N/mm) | axial CA (N/mm) | radial ΔKr (mm) | axial ΔKa (mm) | angular ΔKw (°) | |
| 18 | 18 | 58 | 45 | 10-25.4 | 17 | 5.5 | 17.5 | 47.4 | M5 | 0.07 | 0.03 | 20 | 205 | 50 | 0.2 | 0.5 | 1.5 | 12800 |
| | | 8 | | | | | | | 0.12 | 0.04 | 15 | 82 | 36 | 0.25 | 0.5 | 2 | 12800 | |
| 30 | 30 | 58 | 56 | 10-32 | 20 | 7.3 | 21 | 56.4 | M6 | 0.26 | 0.13 | 38 | 720 | 50 | 0.15 | 0.6 | 1.5 | 10300 |
| | | 15 | | 0.27 | | | | 0.14 | 28 | 225 | 28 | 0.25 | 1 | 2 | 10300 | | | |
| 60 | 60 | 67 | 66 | 12-35 | 24 | 8.6 | 24 | 66.2 | M8 | 0.38 | 0.28 | 75 | 1150 | 90 | 0.15 | 0.6 | 1.5 | 8700 |
| | | 40 | | 0.42 | | | | 0.31 | 50 | 340 | 50 | 0.25 | 1 | 2 | 8700 | | | |
| 80 | 80 | 78 | 82 | 12-44 | 28 | 9.8 | 27 | 82.9 | M10 | 0.70 | 0.78 | 128 | 1200 | 80 | 0.2 | 0.5 | 1.5 | 6900 |
| | | 84 | | 0.76 | | | | 0.85 | 75 | 400 | 50 | 0.25 | 0.8 | 2 | 6900 | | | |
| 150 | 150 | 78 | 82 | 14-44 | 28 | 9.8 | 27 | 82.9 | M10 | 0.73 | 0.82 | 155 | 2020 | 145 | 0.2 | 0.5 | 1.5 | 6900 |
| | | 84 | | 0.80 | | | | 0.89 | 105 | 595 | 85 | 0.25 | 0.8 | 2 | 6900 | | | |
| 200 | 200 | 83 | 90 | 16-47 | 31 | 10.8 | 29 | 90.8 | M12 | 0.89 | 1.19 | 175 | 2500 | 145 | 0.2 | 0.5 | 1.5 | 6400 |
| | | 125 | | 0.95 | | | | 1.27 | 120 | 460 | 82 | 0.25 | 0.8 | 2 | 6400 | | | |
| 300 | 300 | 94 | 110 | 20-60 | 40 | 11.8 | 32.5 | 110 | M12 | 1.37 | 2.74 | 502 | 6300 | 280 | 0.2 | 0.5 | 1.5 | 6000 |
| | | 145 | | 1.43 | | | | 2.86 | 285 | 1400 | 145 | 0.25 | 0.8 | 2 | 6000 | | | |
| 500 | 500 | 100 | 122 | 25-70 | 42 | 13.3 | 36 | 122 | M12 | 1.81 | 4.45 | 690 | 7790 | 100 | 0.2 | 0.5 | 1.5 | 5000 |
| | | 145 | | 1.91 | | | | 4.69 | 320 | 970 | 85 | 0.25 | 1 | 2 | 5000 | | | |

| | |
|--------------------------|--|
| Material | bellows - stainless steel hub - aluminium |
| Hub | bore tolerance: H7 |
| Temperature Range | -30 °C ~ 120 °C |
| Keyway | optional acc. DIN 6885 biggest bore marked with a # |