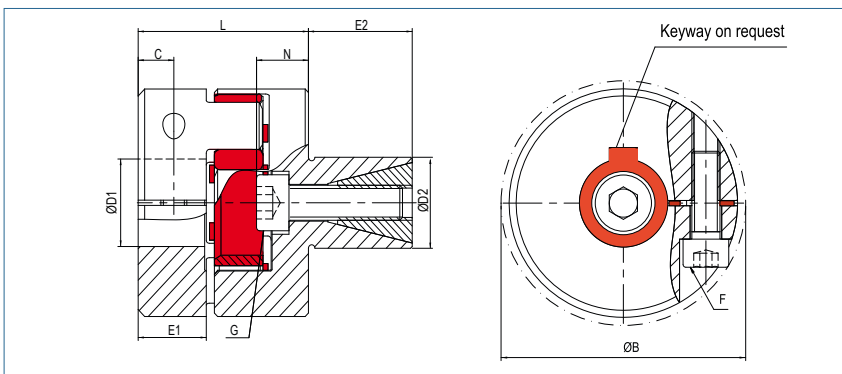


Servo Insert Coupling

with expanding clamps

optional full stainless steel version



|                   |             |   |           |   |           |   |           |   |                |
|-------------------|-------------|---|-----------|---|-----------|---|-----------|---|----------------|
| <b>Order Code</b> | <b>KBE4</b> | - | <b>38</b> | - | <b>40</b> | - | <b>35</b> | - | <b>98Sh</b>    |
|                   | Type        |   | Size      |   | ØD1 (H7)  |   | ØD2 (h7)  |   | Shore-hardness |

| Size | Dimensions (mm) |      |           |         |    |    |      |    |      |            |            | Technical Data          |                         |   | Torque (Nm)       |                 |                    |                  |
|------|-----------------|------|-----------|---------|----|----|------|----|------|------------|------------|-------------------------|-------------------------|---|-------------------|-----------------|--------------------|------------------|
|      | ØA              | L    | Ø D1      | Ø D2    | E1 | E2 | N    | C  | B    | F          | G          | max. speed upm. (1/min) | Mass (per coupling) (g) | Moment of Inertia (per coupling) J (g m²) | 64 ShoreD (green) | 98 ShoreA (red) | 92 ShoreA (yellow) | 80 ShoreA (blue) |
| 14   | 30              | 28   | 4-16      | 13 - 25 | 11 | 20 | 7    | 5  | 32.2 | M3<br>2    | M5<br>9    | 20000                   | 98                      | 0.010                                     | 16                | 12.5            | 7.5                | 4                |
| 19   | 40              | 40   | 10-22/24* | 14 - 30 | 17 | 25 | 10   | 9  | 45.7 | M6<br>15   | M6<br>15   | 19000                   | 240                     | 0.042                                     | 26                | 21              | 12                 | 6                |
| 24   | 55              | 46   | 12 - 32   | 23 - 36 | 20 | 27 | 11   | 10 | 56.4 | M6<br>15   | M8<br>40   | 14000                   | 463                     | 0.158                                     | 75                | 60              | 35                 | 17               |
| 28   | 65              | 51   | 19 - 37   | 26 - 42 | 21 | 32 | 16   | 11 | 72.6 | M8<br>40   | M10<br>84  | 11500                   | 799                     | 0.375                                     | 200               | 160             | 95                 | 46               |
| 38   | 80              | 68   | 20 - 48   | 38 - 60 | 31 | 45 | 20   | 15 | 83.3 | M8<br>40   | M12<br>145 | 9500                    | 1754                    | 1.213                                     | 405               | 325             | 190                | x                |
| 42   | 95              | 92.5 | 25 - 50   | 42 - 80 | 51 | 55 | 21   | 18 | 95   | M10<br>84  | M16<br>310 | 6031                    | 3966                    | 4.180                                     | 560               | 450             | 265                | x                |
| 48   | 105             | 102  | 25 - 62   | 42 - 90 | 55 | 60 | 24.5 | 20 | 108  | M12<br>145 | M16<br>310 | 5457                    | 5392                    | 7030                                      | 655               | 525             | 310                | x                |

| Transmittable torque (Nm) depending on shaft diameter (mm) |     |     |     |     |     |     |    |      |      |      |    |     |     |     |     |     |     |     |     |     |     |     |     |
|--|-----|-----|-----|-----|-----|-----|----|------|------|------|----|-----|-----|-----|-----|-----|-----|-----|-----|-----|-----|-----|-----|
| Size   | 4   | 6   | 8   | 9   | 10  | 11  | 12 | 14   | 15   | 16   | 18 | 19  | 20  | 24  | 25  | 28  | 30  | 32  | 35  | 38  | 40  | 42  | 45  |
| 14   | 7.7 | 8.3 | 8.9 | 9.2 | 9.4 | 9.7 | 10 | 10.6 | 10.9 | 11.2 |    |     |     |     |     |     |     |     |     |     |     |     |     |
| 19   |     |     |     |     | 44  | 45  | 47 | 49   | 50   | 51   | 54 | 55  | 56  |     |     |     |     |     |     |     |     |     |     |
| 24   |     |     |     |     |     |     | 61 | 63   | 64   | 65   | 67 | 69  | 70  | 74  | 76  | 79  | 81  | 84  |     |     |     |     |     |
| 28   |     |     |     |     |     |     |    |      |      |      |    | 114 | 116 | 123 | 124 | 130 | 133 | 137 | 142 |     |     |     |     |
| 38   |     |     |     |     |     |     |    |      |      |      |    |     | 135 | 142 | 144 | 149 | 152 | 156 | 161 | 166 | 169 | 173 | 178 |
| 42   |     |     |     |     |     |     |    |      |      |      |    |     |     |     | 294 | 304 | 310 | 317 | 327 | 337 | 343 | 350 | 360 |
| 48   |     |     |     |     |     |     |    |      |      |      |    |     |     |     | 476 | 491 | 500 | 510 | 524 | 539 | 548 | 558 | 572 |

**+** **Material** hub - aluminium  
expanding clamps - steel  
spider element - polyurethane

**Hub** bore tolerance: H7

**Keyway** optional acc. DIN 6885

\* Hubs for bores > 22H7 to 24H7 will be supplied with M5 screws.

Further spider elements and technical data are available on page 44 and 45.  
All series are available with loose-fit spiders (see page 45).