

No. 6800

Vertical acting toggle clamp

with open clamping arm and horizontal base.

Galvanized and passivated. Rivets made of stainless steel, which, for sizes 2 to 6, run in hardened bushings.

Bearings are pre-lubricated.

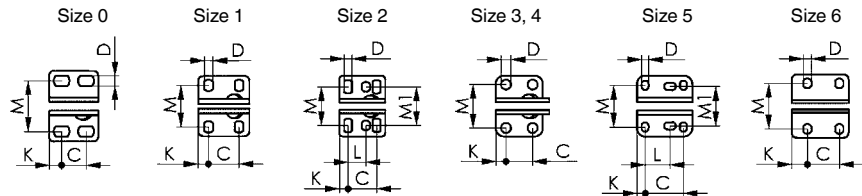
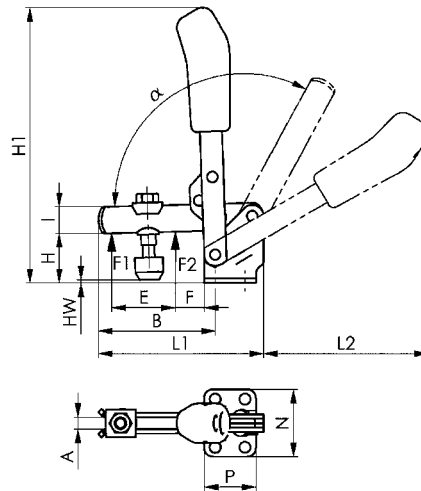
Ergonomic, oil-resistant handle with large grip surface and soft components. Safety clamping piece with finger protection, lock washer for the thrust bolt at the end of the clamping arm.

Complete with tempered, galvanized clamping screw no. 6890.



Order no.	Size	F1 [kN]	F2 [kN]	Clamping screw	Weight [g]
90001	0	0,5	0,7	M 4x 25	60
90019	1	0,6	1,1	M 5x 30	105
90027	2	0,8	1,2	M 6x 35	175
90035	3	1,2	2,5	M 8x 45	410
90043	4	1,7	3,0	M 8x 65	630
90050	5	3,0	5,0	M12x 80	1480
90068	6	3,4	5,5	M12x110	2200

Also available in „STAINLESS STEEL“ version (no. 6800NI) and in matte-black version (no. 6800B)!



Recommendations



No. 6895,
page 113



No. 6892,
page 112



No. 6800S,
page 39

Dimensions:

Order no.	Size	A	B	C	D	E	F	H	H1	HW min.	HW max.	I	K	L	L1	L2	M	M1	N	P	α	α^*
90001	0	4	31,0	8,5-13,5	4,5	14	5,5	18,0	81,0	-1,5	3,5	8	5,5	-	49	50	23,0	-	32	22	95°	-
90019	1	5	39,0	16,0	4,5	18	6,0	19,0	98,5	-4,0	2,0	10	5,5	-	61	59	22,5-26,0	-	34	27	95°	-
90027	2	6	52,0	20,0	5,5	25	11,0	23,0	139,5	-3,0	4,5	12	6,0	12,5	78	89	23,0-31,0	27	43	32	105°	60°
90035	3	8	79,0	20,0	7,5	37	19,0	33,0	186,0	2,0	11,0	18	7,5	-	112	112	32,5	-	46	35	105°	60°
90043	4	10	101,0	32,0	8,6	54	16,0	42,5	221,0	-6,0	22,5	20	13,0	-	141	130	43,5-46,5	-	64	53	105°	60°
90050	5	14	140,0	45,0	8,5	73	34,0	55,8	281,0	-3,0	27,5	25	9,5	26,5-31,5	195	185	45,0-50,0	45	70	65	115°	60°
90068	6	14	165,5	50,5	13,0	89	28,0	81,0	333,0	-2,5	55,0	30	24,5	-	231	206	67,5-72,5	-	100	90	140°	60°

* The opening angle can be changed by pressing in a stop pin.

Subject to technical alterations.