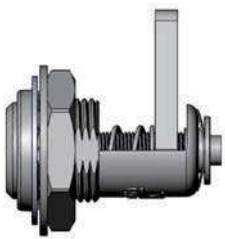
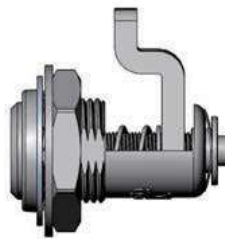


BZ-0912
十字鎖仁 PH2 Phillips

BZ-0913
六角鎖仁 4mm Hex



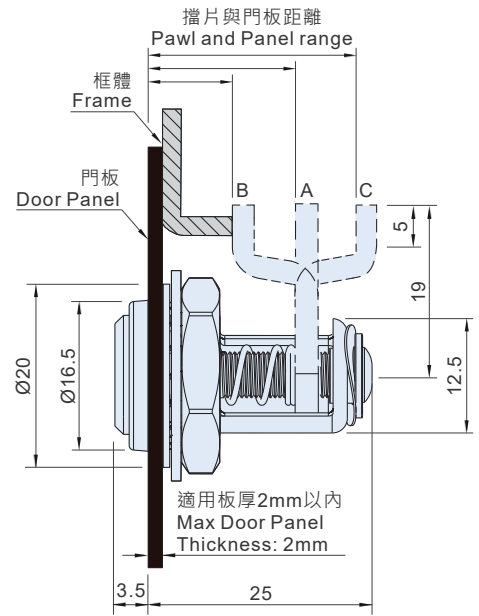
A



B



C

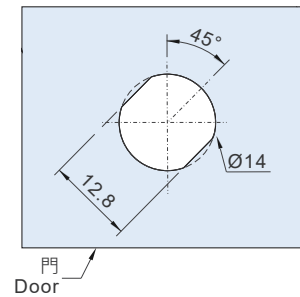
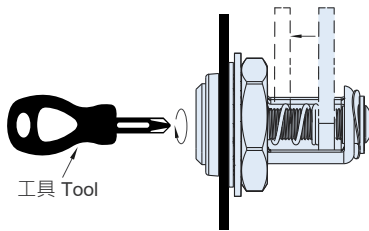


作動

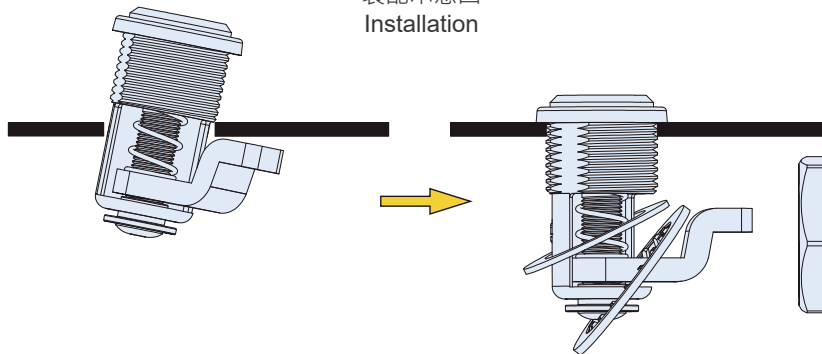
透過工具轉動鎖頭，擋片會開/關
當繼續轉動鎖頭時，擋片會前移緊固或後退釋放

ACT

Turn the lock by a tool, the pawl will open or close.
Keep to turn the lock, the pawl will move forward to tighten or move backward to loosen.



裝配示意圖
Installation



材質與表面處理

- 鎖殼：鋅合金·鍍鋅。
- 鎖心、軸心、擋片：鐵·鍍鋅。

MATERIAL AND FINISH

- Lock housing: Die-cast Zinc, Zinc plated.
- Lock center, Shaft, Pawl: Steel, Zinc plated.

特徵

- 鎖頭可用簡易工具開啟及關閉。
- 利用簡易工具轉動鎖頭時，擋片會因鎖頭的轉動而前移或後退，透過調整擋片迫緊程度，使門框不搖動。

FEATURES

- The pawl and tightness could be adjusted by the easy tools instead of the key.

SPECIFICATION:

Unit:mm

產品編號 Item No.		擋片型式 Pawl Type	擋片與門板距離 Pawl and Panel range	重量 Weight (g)
十字鎖仁 PH2 Phillips Recess PH2	六角鎖仁 4mm Hex-4mm			
BZ-09121	BZ-09131	A	8.8~16.5	25
BZ-09122	BZ-09132	B	2.5~10.2	
BZ-09123	BZ-09133	C	15~22.8	