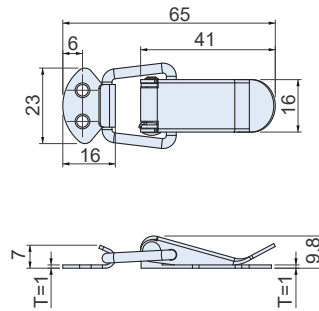


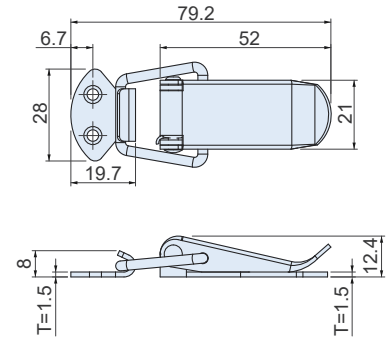
CS-03



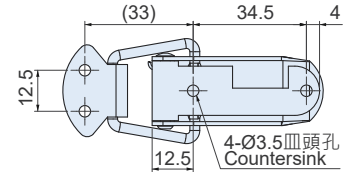
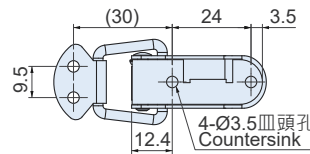
CS-0313 / CT-0313



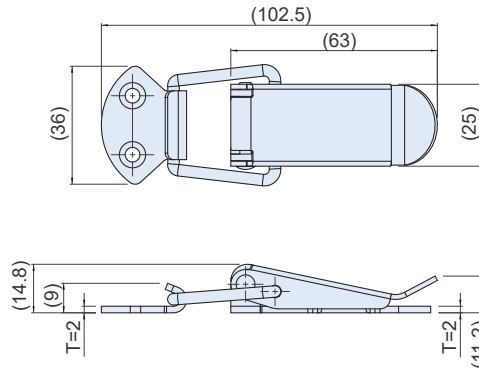
CS-0320 / CT-0320



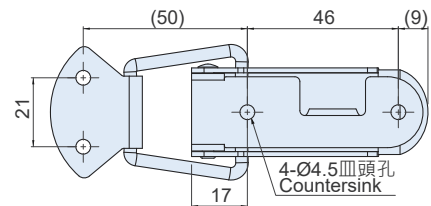
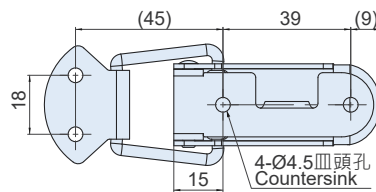
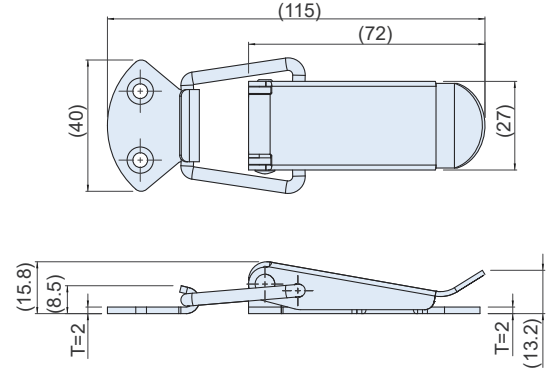
CT-03



CS-0330 / CT-0330



CS-0340 / CT-0340



特徵

- 內附彈簧，掀把開啟後會自動彈回，預防工安產生。
- 底座限位設計，避免掀把彈回後壓傷物件表面。
- 線環特殊設計，經久不鬆脫。

FEATURES

- Inside added spring, the lever will be back mildly and automatically when it is open, and prevent from the accident.
- The stop design of the base prevents the surface of the object (lever portion) from being crushed by the springback.
- The durable design of the wire loop prevents it from loosening after a long time use.

SPECIFICATION:

Unit:mm

產品編號 Item No.	材質 Material	表面處理 Finish	引張荷重 Load Capacity(kgf)	重量 Weight(g)
CS-0313	SUS304	震動亮面 Vibration ground	10	17.6
CT-0313	SPCC	鍍鎳 Nickel plated		
CS-0320	SUS304	震動亮面 Vibration ground	15	35.6
CT-0320	SPCC	鍍鎳 Nickel plated		
CS-0330	SUS304	震動亮面 Vibration ground	20	66.6
CT-0330	SPCC	鍍鎳 Nickel plated		
CS-0340	SUS304	震動亮面 Vibration ground	25	83.1
CT-0340	SPCC	鍍鎳 Nickel plated		