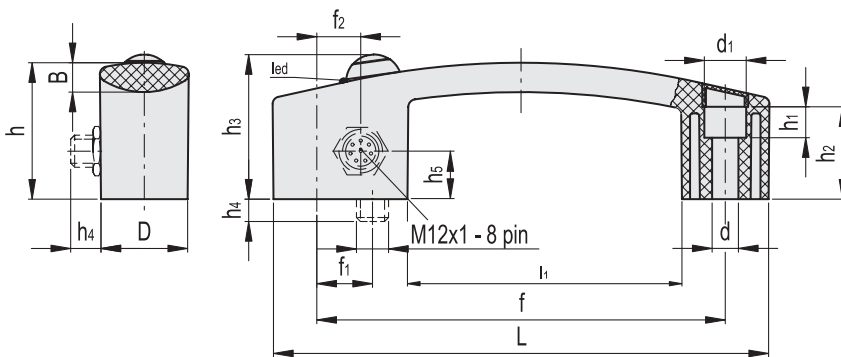


Technical features	
Protection class	IP65
Mechanical life-span	cycles 1 x 10 <sup>6</sup>
Led light voltage	24 Vdc ± 15%
Maximum commutable voltage	max 28 Vdc / 30 Vac / max 1 A



Code	Description	L	f	d	d1	f1	f2	D	h	h1	h2	h3	h4	h5	B	l1	F1 [N]	F2 [N]	L1 [J]	L2 [J]	⚖️
260541-C1	EBR.150-SW-B-C	160	132±0.5	8.5	13.5	16	-	28	44	10	30	47	10	-	8.5	89	2800	2900	35	8	85
260542-C1	EBR.150-SW-B-F5	160	132±0.5	8.5	13.5	16	-	28	44	10	30	47	-	-	8.5	89	2800	2900	35	8	95
260546-C1	EBR.150-SW-B-F2.5	160	132±0.5	8.5	13.5	16	-	28	44	10	30	47	-	-	8.5	89	2800	2900	35	8	90
260551-C1	EBR.150-SW-D-C	160	132±0.5	8.5	13.5	-	14.5	28	44	10	30	47	13.5	13	8.5	89	2800	2900	35	8	85
260552-C1	EBR.150-SW-D-F5	160	132±0.5	8.5	13.5	-	14.5	28	44	10	30	47	-	13	8.5	89	2800	2900	35	8	95
260556-C1	EBR.150-SW-D-F2.5	160	132±0.5	8.5	13.5	-	14.5	28	44	10	30	47	-	13	8.5	89	2800	2900	35	8	90