

- 1
- 2
- 3
- 4
- 5
- 6
- 7
- 8
- 9
- 10
- 11
- 12
- 13
- 14
- 15

MATERIAL

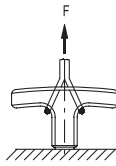
Glass-fibre reinforced polyamide based (PA) technopolymer, black colour, matte finish.

STANDARD EXECUTIONS

- **L.652-B**: brass boss, plain or tapped blind hole.
- Black, orange, red colours, matte finish.
- **L.652-p**: zinc-plated steel threaded stud, chamfered flat end
- UNI 947 : ISO 4753 (see Technical data on page A-11).

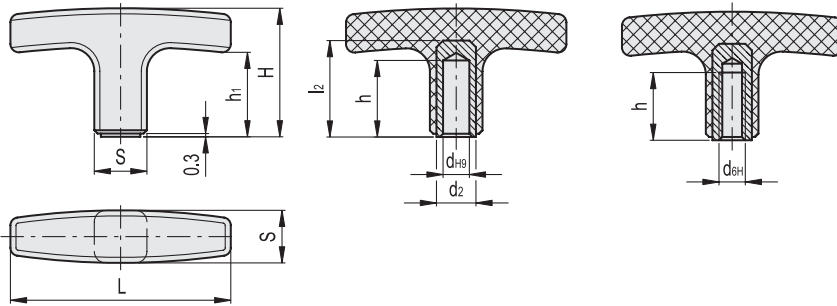
TECHNICAL DATA

Tensile stress: F values reported in the table are the result of breaking tests carried out with the appropriate dynamometric equipment under the test conditions shown in the figure with ambient temperature.



ELESA Original design

L.652-B



* Complete with colour index, example: 32447 L.652/67 B-M8-C2

- C9 RAL9005
- C2 RAL2004
- C6 RAL3000

L.652-B

Code C9	Code C2	Code C6	Description	L	dH9	dG9	S	H	d2	h	h1	l2	F [N]	⚖️
32420	-	-	L.652/40 B-M5-*	41	-	M5	13	28	-	16	18.5	-	2400	17
32421	-	-	L.652/40 B-6-*	41	6	-	13	28	9	18	18.5	23	2500	16
32426	-	32428	L.652/40 B-M6-*	41	-	M6	13	28	-	16	18.5	-	2500	16
32430	-	-	L.652/55 B-M5-*	56.5	-	M5	15	33	-	15	21.5	-	2400	28
32431	-	-	L.652/55 B-6-*	56.5	6	-	15	33	10	18	21.5	27	3300	27
32436	-	32438	L.652/55 B-M6-*	56.5	-	M6	15	33	-	18	21.5	-	3300	27
32432	-	-	L.652/55 B-M8-*	56.5	-	M8	15	33	-	20	21.5	-	3300	28
32441	-	-	L.652/67 B-6-*	68.5	6	-	16.5	37	11	20	24.5	30	4500	38
32443	-	-	L.652/67 B-8-*	68.5	8	-	16.5	37	11	20	24.5	30	4500	36
32446	32447	32448	L.652/67 B-M8-*	68.5	-	M8	16.5	37	-	20	24.5	-	4500	36
32452	-	-	L.652/67 B-M10-*	68.5	-	M10	16.5	37	-	20	24.5	-	5000	34
32451	-	-	L.652/80 B-6-*	82	6	-	20	41.5	13	25	25	33	7000	58
32453	-	-	L.652/80 B-8-*	82	8	-	20	41.5	13	25	25	33	7000	52
32456	-	-	L.652/80 B-M8-*	82	-	M8	20	41.5	-	25	25	-	7000	50
32458	32459	32457	L.652/80 B-M10-*	82	-	M10	20	41.5	-	25	25	-	7000	56
32460	-	-	L.652/80 B-M12-*	82	-	M12	20	41.5	-	18	25	-	7000	62
32471	-	-	L.652/95 B-6-*	94	6	-	21	46	13	25	28.5	33	8000	74
32478	-	-	L.652/95 B-M10-*	94	-	M10	21	46	-	25	28.5	-	8000	70
32480	-	-	L.652/95 B-M12-*	94	-	M12	21	46	-	18	28.5	-	8000	66

Fixed & revolving handles