

- 1
- 2
- 3
- 4
- 5
- 6
- 7
- 8
- 9
- 10
- 11
- 12
- 13
- 14
- 15
- RH

**BRACKET**

Glass-fibre reinforced polyamide based (PA) technopolymer, black colour, matte finish.

**GUIDE RAIL CYLINDER**

Glass-fibre reinforced technopolymer. Black colour, matte finish.

**STANDARD EXECUTIONS**

- Nickel-plated AISI 431 stainless steel eye screw.
- Glass-fibre reinforced technopolymer clamping knob, black colour, matte finish, with nickel-plated brass hexagonal end for clamping by means of a key, threaded hole.
- AISI 304 stainless steel screw, nut and washer for the fixing of guide rail cylinder to the bracket.
- **SPR.V-A**: with lower lip.
- **SPR.V-B**: without lower lip.

**FEATURES AND APPLICATIONS**

Particularly suitable when the angular and linear positioning needs to be executed in two different moments, for example when the distance between the guides has to be set more frequently than the angulation.

**ACCESSORIES ON REQUEST**

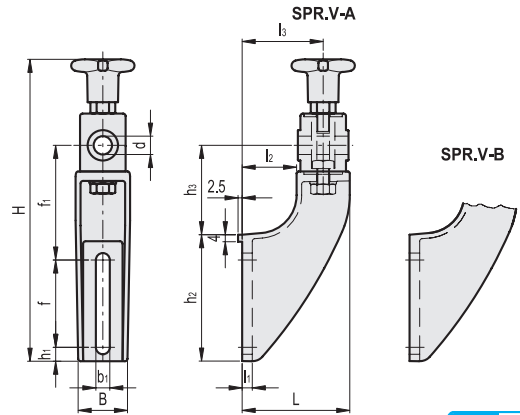
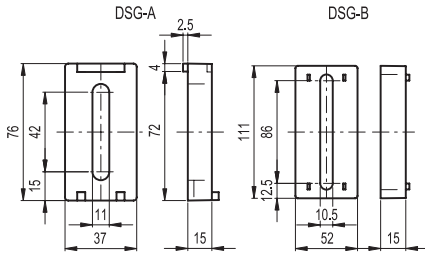
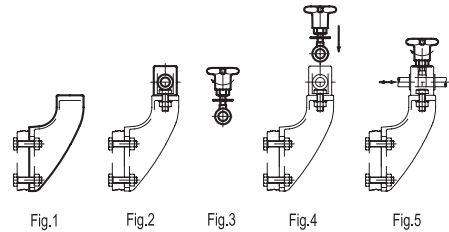
Spacer for guide rail bracket DSG-A (code 419676) or DSG-B (code 419677) in glass-fibre reinforced technopolymer, black colour, matte finish.

**SPECIAL EXECUTIONS ON REQUEST**

AISI 304 stainless steel guide rail cylinder.

**ASSEMBLY INSTRUCTIONS**

- Fit the guide rail bracket (Fig. 1).
- Assemble the guide rail cylinder to the support, with screw, nut and washer (Fig. 2).
- Insert the washer on the eye screw and assemble the knob (Fig. 3).
- Insert the eye in the guide rail cylinder housing (Fig. 4).
- Insert the guide pin in the guide rail cylinder hole. Set its linear and angular position and then clamp the knob (linear positioning) and the fixing nut of guide rail cylinder (angular positioning) (Fig. 5).



**SPR.V-A**

Code	Description	H	L	B	f	f <sub>1</sub>	b <sub>1</sub>	h <sub>1</sub>	h <sub>2</sub>	h <sub>3</sub>	l <sub>1</sub>	l <sub>2</sub>	l <sub>3</sub>	Guide assembly hole	
419755	SPR.V-12-A	203	70	37	42	79	11	15	76	60	8	30	50	12	255
419756	SPR.V-14-A	203	70	37	42	79	11	15	76	60	8	30	50	14	250
419757	SPR.V-16-A	203	70	37	42	79	11	15	76	60	8	30	50	16	245

**SPR.V-B**

Code	Description	H	L	B	f	f <sub>1</sub>	b <sub>1</sub>	h <sub>1</sub>	h <sub>2</sub>	h <sub>3</sub>	l <sub>1</sub>	l <sub>2</sub>	l <sub>3</sub>	Guide assembly hole	
419658	SPR.V-12-B	238	85	41	69	90	11	11	100	70	8	43	64	12	270
419659	SPR.V-14-B	238	85	41	69	90	11	11	100	70	8	43	64	14	265
419660	SPR.V-16-B	238	85	41	69	90	11	11	100	70	8	43	64	16	260

Levelling elements and supports