

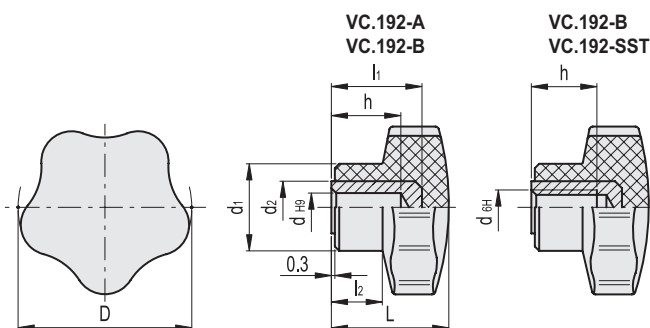


MATERIAL
Phenolic based (PF) Duroplast handle, black colour, glossy finish.

- STANDARD EXECUTIONS**
- **VC.192-A:** black-oxide steel boss, plain blind hole.
 - **VC.192-B:** brass boss, plain or threaded blind hole.
 - **VC.192-SST:** AISI 303 stainless steel boss, threaded blind hole.
 - **VC.192-p:** zinc-plated steel threaded stud with chamfered flat end as in UNI 947 : ISO 4753 (see Technical data on page A-11).
 - **VC.192-SST-p:** AISI 303 stainless steel threaded stud, chamfered flat end according to UNI 947 : ISO 4753 (see Technical data on page A-11).



ELESA Original design



VC.192-A

Code	Description	D	dH9	L	d1	d2	l1	l2	h	△
66401	VC.192/50 A-6	50	6	33	25	15	23	14	18	65
66411	VC.192/50 A-8	50	8	33	25	15	25	14	20	57
66441	VC.192/50 A-10	50	10	33	25	16	25	14	21	60
66501	VC.192/60 A-6	60	6	37	27	18	28	17	20	104
66511	VC.192/60 A-8	60	8	37	27	15	25	17	25	89
66541	VC.192/60 A-10	60	10	37	27	18	31	17	25	100
66601	VC.192/70 A-8	70	8	44	30	20	35	20	26	165
66611	VC.192/70 A-10	70	10	44	30	18	31	20	25	135
66701	VC.192/85 A-8	85	8	55	35	22	38	30	25	240
66801	VC.192/100 A-8	100	8	60	38	22	38	31	25	310

VC.192-B

Code	Description	D	d6H	dH9	L	d1	d2	l1	l2	h	△
66101	VC.192/25 B-4	25	-	4	21	15	11	14	9	11	15
66111	VC.192/25 B-M4	25	M4	-	21	15	-	-	9	10	11
66201	VC.192/30 B-6	32	-	6	23	19	12	17	11	14	23
66221	VC.192/30 B-M5	32	M5	-	23	19	-	-	11	10	16
66222	VC.192/30 B-M6	32	M6	-	23	19	-	-	11	12	19
66301	VC.192/40 B-6	40	-	6	27	21	12	17	12	14	35
66331	VC.192/40 B-8	40	-	8	27	21	12	18	12	14	32
66341	VC.192/40 B-M6	40	M6	-	27	21	-	-	12	12	27
66342	VC.192/40 B-M8	40	M8	-	27	21	-	-	12	13	31
66451	VC.192/50 B-6	50	-	6	33	25	15	23	14	18	67
66461	VC.192/50 B-8	50	-	8	33	25	15	25	14	20	65
66471	VC.192/50 B-M8	50	M8	-	33	25	-	-	14	20	50
66472	VC.192/50 B-M10	50	M10	-	33	25	-	-	14	17	52
66551	VC.192/60 B-M10	60	M10	-	37	27	-	-	17	17	76
66552	VC.192/60 B-M12	60	M12	-	37	27	-	-	17	20	80
66641	VC.192/70 B-M12	70	M12	-	44	30	-	-	20	20	119
66642	VC.192/70 B-M14	70	M14	-	44	30	-	-	20	20	122
66721	VC.192/85 B-M16	85	M16	-	55	35	-	-	30	22	176
66821	VC.192/100 B-M16	100	M16	-	60	38	-	-	31	22	255

VC.192-SST



Code	Description	D	d6H	L	d1	l2	h	△
66226	VC.192/30-SST-M6	32	M6	23	19	11	12	18
66346	VC.192/40-SST-M8	40	M8	27	21	12	13	30
66476	VC.192/50-SST-M10	50	M10	33	25	14	17	50
66556	VC.192/60-SST-M12	60	M12	37	27	17	20	78