

VC.692 | Lobe knobs with solid section

Technopolymer, easy cleaning



MATERIAL

Glass-fibre reinforced polyamide based (PA) technopolymer, black colour, matte finish.

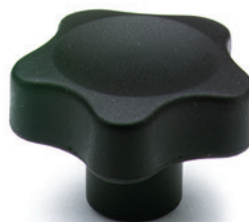
STANDARD EXECUTIONS

- **VC.692-B**: brass boss, threaded blind hole.
- **VC.692-SST**: AISI 303 stainless steel boss, threaded blind hole.
- **VC.692-p**: zinc-plated steel threaded stud, chamfered flat end according to UNI 947 : ISO 4753 (see Technical data on page A-11).
- **VC.692-SST-p**: AISI 303 stainless steel threaded stud, chamfered flat end according to UNI 947 : ISO 4753 (see Technical data on page A-11).

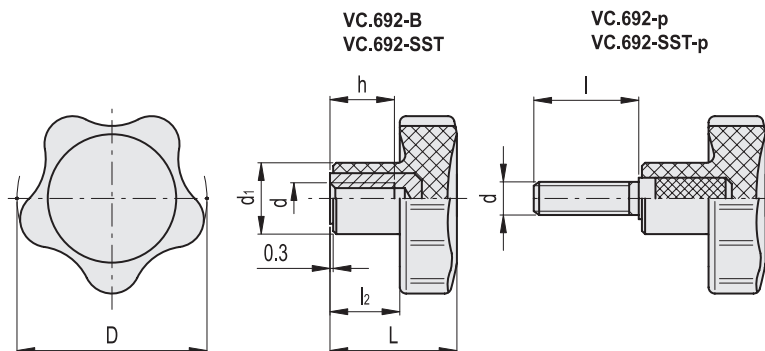
FEATURES AND APPLICATIONS

The exclusive five-lobe shape (ELESA original design) offers the operator's fingers a proper grip and prevents unhealthy residues from depositing thanks to its solid shape without cavities.

The metal insert in AISI 303 stainless steel can be used in sectors where corrosion resistant materials are required.



ELESA Original design



VC.692-B

Code	Description	D	d6H	L	d1	l2	h	⚖️
166111	VC.692/25 B-M4	25	M4	20	12	10	10	7
166112	VC.692/25 B-M5	25	M5	20	12	10	10	7
166113	VC.692/25 B-M6	25	M6	20	12	10	10	7
166221	VC.692/32 B-M5	32	M5	22.5	14	12.5	10	15
166222	VC.692/32 B-M6	32	M6	22.5	14	12.5	10	14
166223	VC.692/32 B-M8	32	M8	22.5	14	12.5	10	13
166341	VC.692/40 B-M6	40	M6	26	15	14	12	25
166342	VC.692/40 B-M8	40	M8	26	15	14	13	23
166471	VC.692/50 B-M8	50	M8	31	18	17	15	44
166472	VC.692/50 B-M10	50	M10	31	18	17	17	40
166551	VC.692/60 B-M10	60	M10	36.5	21	21	20	63
166552	VC.692/60 B-M12	60	M12	36.5	21	21	20	54

VC.692-SST



Code	Description	D	d6H	L	d1	l2	h	⚖️
166116	VC.692/25-SST-M5	25	M5	20	12	10	10	7
166117	VC.692/25-SST-M6	25	M6	20	12	10	10	7
166225	VC.692/32 SST-M5	32	M5	22.5	14	12.5	10	15
166226	VC.692/32-SST-M6	32	M6	22.5	14	12.5	10	15
166345	VC.692/40 SST-M6	40	M6	26	15	14	12	26
166346	VC.692/40-SST-M8	40	M8	26	15	14	13	24
166475	VC.692/50 SST-M8	50	M8	31	18	17	15	45
166476	VC.692/50-SST-M10	50	M10	31	18	17	17	42
166555	VC.692/60 SST-M10	60	M10	36.5	21	21	17	64
166556	VC.692/60-SST-M12	60	M12	36.5	21	21	20	54

Clamping knobs