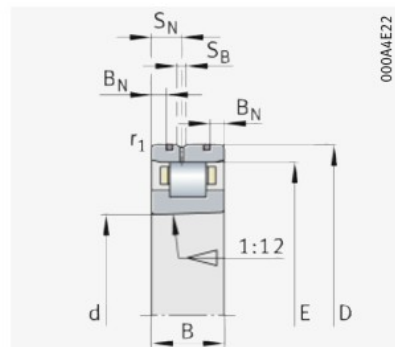
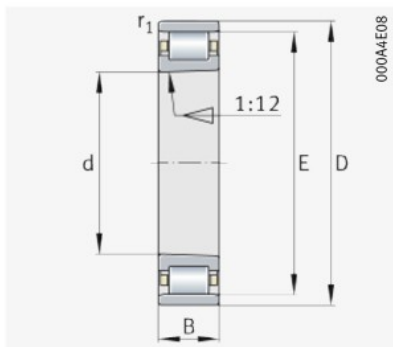




# Super precision cylindrical roller bearings

Single row  
Steel or ceramic rollers



Direct Lube

## d = 30 – 55 mm

Main dimensions			Basic load ratings		Fatigue limit load $C_{ur}$ N	Limiting speeds		Mass m ≈ kg	Designation <sup>1)</sup>  X-life > 1176
d	D	B	dyn. $C_r$ N	stat. $C_{Or}$ N		$n_G$ grease min <sup>-1</sup>	$n_G$ oil <sup>2)</sup> min <sup>-1</sup>		
30	55	13	17 500	15 600	2 230	21 700	25 500	0,12	N1006-D-K-TVP-SP-XL
	55	13	20 200	20 400	2 600	33 500	39 500	0,12	N1006-K-PVPA1-SP
	55	13	20 200	19 200	1 830	36 500	43 000	0,11	HCN1006-K-PVPA1-SP
35	62	14	23 600	20 900	3 300	18 700	22 000	0,16	N1007-D-K-TVP-SP-XL
	62	14	19 900	20 900	2 650	30 000	35 000	0,16	N1007-C-K-PVPA1-SP
	62	14	19 900	19 600	1 890	32 500	38 500	0,14	HCN1007-C-K-PVPA1-SP
40	68	15	27 000	26 000	4 100	17 100	20 100	0,2	N1008-D-K-TVP-SP-XL
	68	15	27 500	29 000	3 600	26 500	31 000	0,19	N1008-K-PVPA1-SP
	68	15	27 500	27 000	2 600	29 000	34 000	0,16	HCN1008-K-PVPA1-SP
45	75	16	34 500	32 500	5 000	15 200	17 800	0,24	N1009-D-K-TVP-SP-XL
	75	16	29 000	32 500	4 050	24 400	28 500	0,24	N1009-C-K-PVPA1-SP
	75	16	29 000	31 000	2 950	26 500	31 000	0,22	HCN1009-C-K-PVPA1-SP
50	80	16	36 500	36 500	5 600	14 200	16 800	0,27	N1010-D-K-TVP-SP-XL
	80	16	31 000	36 500	4 500	22 800	27 000	0,27	N1010-C-K-PVPA1-SP
	80	16	31 000	34 000	3 300	24 900	29 500	0,23	HCN1010-C-K-PVPA1-SP
55	90	18	48 000	48 500	7 700	12 600	14 800	0,4	N1011-D-K-TVP-SP-XL
	90	18	40 500	48 000	6 300	20 200	23 800	0,4	N1011-K-PVPA1-SP
	90	18	40 500	45 500	4 550	22 100	26 000	0,34	HCN1011-K-PVPA1-SP

medias > <https://www.schaeffler.de/std/1D74>

1) The bearings are also available by agreement in the following designs:

- With cylindrical bore (without suffix K),  
ordering example: N1006-D-TVP-SP-XL
- As Direct Lube design (suffix DLR),  
ordering example: N1006-K-DLR-PVPA1-SP.

Series HCN10 is available by agreement in the following design from d = 30 mm to d = 120 mm:

- With half the number of rollers for higher limiting speeds (suffix H193),  
ordering example: HCN1024-K-PVPA1-SP-H193.

2) Minimal quantity oil lubrication.

3) Axial displacement of outer ring from central position.