

## Mushroom knobs internal thread

### Item description/product images



### Description

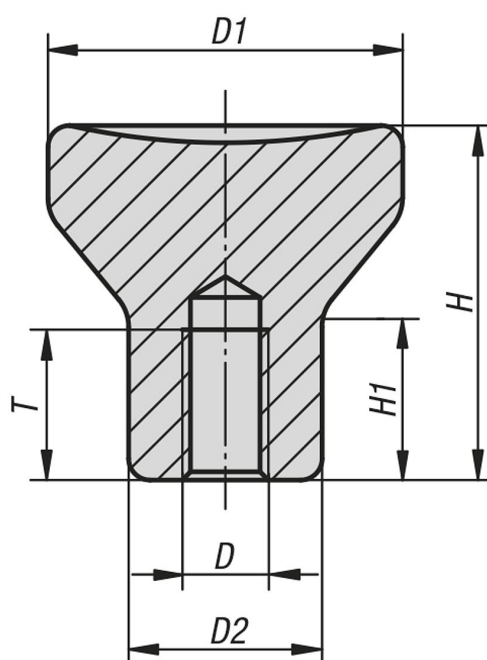
#### Material:

Steel, 1.4305 stainless steel, 1.4404 stainless steel or aluminium.

#### On request:

With external threads.

### Drawings



### Overview of items

#### Mushroom knobs with internal thread

Order No.	Main material	Steel code	Surface finish body	D	D1	D2	H	H1	T
K0250.0902	steel	-	blue-passivated	M2	14	8	14	6,7	4
K0250.0003	steel	-	blue-passivated	M3	18	10	18	8,6	7,5
K0250.0104	steel	-	blue-passivated	M4	21	12	21	10	10
K0250.0105	steel	-	blue-passivated	M5	21	12	21	10	12,5
K0250.0206	steel	-	blue-passivated	M6	25	14	25	12	12
K0250.0308	steel	-	blue-passivated	M8	33	18	33	16	16
K0250.0410	steel	-	blue-passivated	M10	40	24	40	18,7	20
K0250.902	stainless steel	1.4305	fine turned	M2	14	8	14	6,7	4
K0250.003	stainless steel	1.4305	fine turned	M3	18	10	18	8,6	7,5
K0250.104	stainless steel	1.4305	fine turned	M4	21	12	21	10	10
K0250.105	stainless steel	1.4305	fine turned	M5	21	12	21	10	12,5
K0250.206	stainless steel	1.4305	fine turned	M6	25	14	25	12	12
K0250.308	stainless steel	1.4305	fine turned	M8	33	18	33	16	16
K0250.410	stainless steel	1.4305	fine turned	M10	40	24	40	18,7	20
K0250.2902	stainless steel	1.4305	blasted	M2	14	8	14	6,7	4
K0250.2003	stainless steel	1.4305	blasted	M3	18	10	18	8,6	7,5
K0250.2104	stainless steel	1.4305	blasted	M4	21	12	21	10	10
K0250.2105	stainless steel	1.4305	blasted	M5	21	12	21	10	12,5