

## Spring plungers with hexagon socket and ball, strong spring force

### Item description/product images

#### Description

##### Material:

Sleeve steel grade 5.8.

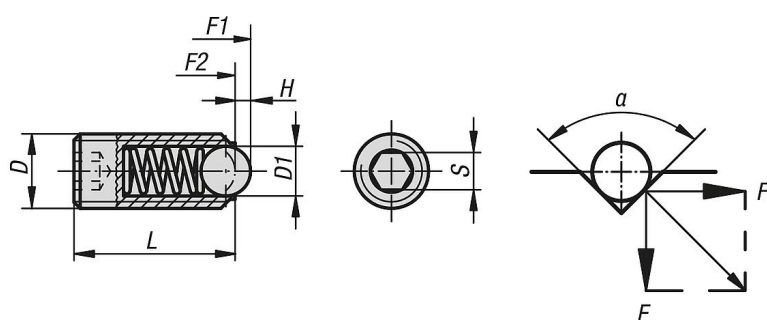
Ball steel.

Spring grade D steel wire.

##### Version:

Black oxidised. Ball hardened.

### Drawings



$$\begin{aligned} \alpha = 60^\circ, F' &= 1,732 \times F \\ \alpha = 90^\circ, F' &= F \\ \alpha = 120^\circ, F' &= 0,577 \times F \end{aligned}$$

### Overview of items

#### Spring plungers with hexagon socket and ball, reinforced spring

| Order No. | D   | D1  | H   | L  | S   | Spring force<br>initial pressure<br>F1 approx. N | Spring force<br>final pressure<br>F2 approx. N |
|-----------|-----|-----|-----|----|-----|--|--|
| K0315.203 | M3  | 1,5 | 0,4 | 9  | 1,5 | 5  | 7  |
| K0315.204 | M4  | 2,5 | 0,8 | 10 | 2   | 12   | 22   |
| K0315.205 | M5  | 3   | 0,9 | 14 | 2,5 | 19   | 30   |
| K0315.206 | M6  | 3,5 | 1   | 15 | 3   | 28   | 40   |
| K0315.208 | M8  | 5   | 1,5 | 18 | 4   | 47   | 73   |
| K0315.210 | M10 | 6   | 2   | 23 | 5   | 66   | 100  |
| K0315.212 | M12 | 8   | 2,5 | 26 | 6   | 66   | 120  |
| K0315.216 | M16 | 10  | 3,5 | 33 | 8   | 90   | 180  |
| K0315.220 | M20 | 12  | 4,5 | 43 | 10  | 115  | 240  |
| K0315.224 | M24 | 15  | 5,5 | 48 | 12  | 130  | 270  |