

Rubber buffers steel or stainless steel, type B

Item description/product images



Description

Material:

Metal parts steel grade 5.6 or stainless steel.
Elastomer natural rubber, medium hardness, Shore 55A.

Version:

Steel electro zinc-plated.
Stainless steel bright.

Note:

Rubber buffers are widely-used construction elements for elastic mounting. They are used, among other things, as mountings for aggregates, motors, compressors, pumps and testing machinery.

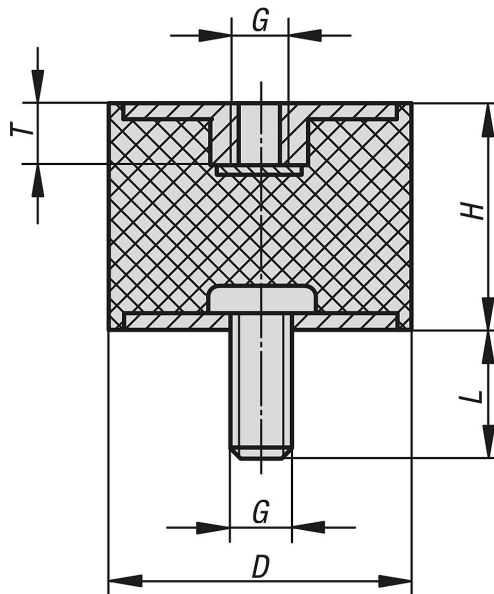
Temperature range:

-30 °C to +80 °C

On request:

Other Shore grades.

Drawings



Overview of items

Rubber buffers, steel or stainless steel, type B

Order No.	Main material	D	H	G	L	T	Spring stiffness N/mm	Load N
K0568.00800855	steel	8	8	M3	6	3	35	17
K0568.01001055	steel	10	10	M4	10	4	75	75
K0568.01001555	steel	10	15	M4	10	4	50	60
K0568.01500855	steel	15	10	M4	10	4	130	130
K0568.01501555	steel	15	15	M4	10	4	100	120
K0568.02001555	steel	20	15	M6	18	6	325	390