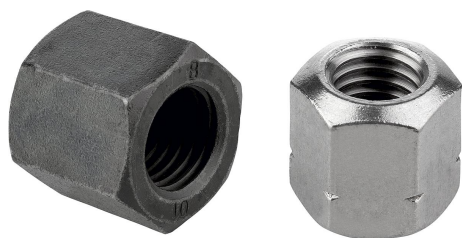


Hexagon nuts height 1.5xD, DIN 6330 enhanced

Item description/product images



Description

Material:

Carbon steel or stainless steel A2.

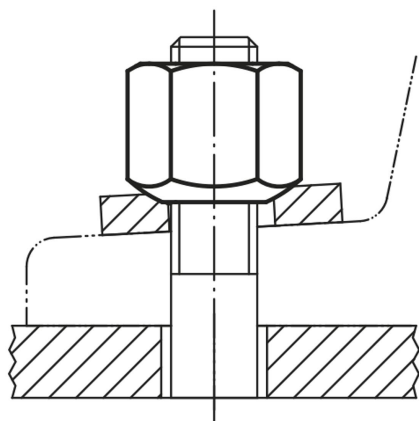
Version:

Steel grade 10, bright (blackened).

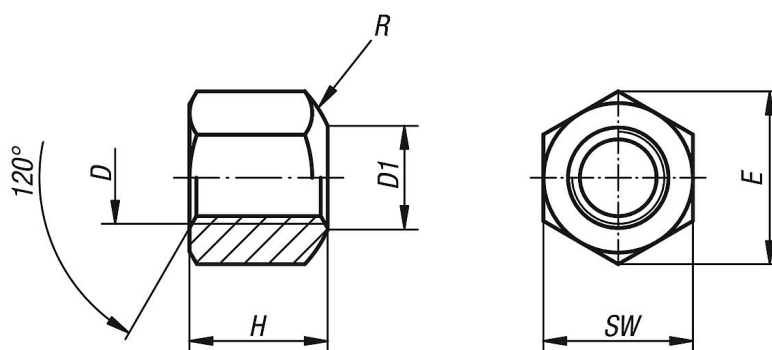
Stainless steel A2-70, bright

Note:

These hexagon nuts can be used with the conical seats K0729, Form D and G.



Drawings



Overview of items

Hexagon nuts height 1.5xD, DIN 6330 enhanced

Order No.	Main material	D	H = 1,5 x D	D1	SW	E	R
K0702.05	high carbon steel	M5	7,5	6,5	9	10,4	7
K0702.06	high carbon steel	M6	9	7	10	11,5	9
K0702.08	high carbon steel	M8	12	9	13	15	11
K0702.10	high carbon steel	M10	15	11,5	16	18,4	15
K0702.101	high carbon steel	M10	15	11,5	17	19,6	15
K0702.12	high carbon steel	M12	18	14	18	20,7	17
K0702.121	high carbon steel	M12	18	14	19	21,9	17
K0702.14	high carbon steel	M14	21	16	22	25,4	20
K0702.16	high carbon steel	M16	24	18	24	27,7	22
K0702.18	high carbon steel	M18	27	20	27	31,2	24,5
K0702.20	high carbon steel	M20	30	22	30	34,6	27
K0702.22	high carbon steel	M22	33	24	32	36,9	29
K0702.24	high carbon steel	M24	36	26	36	41,6	32