

Ball transfer units mini

Item description/product images



Description

Material:

Steel version:
 Load ball steel.
 Bearing balls steel.
 Housing electro zinc-plated steel.
 Cover electro zinc-plated steel.

Stainless steel version:

Load ball stainless steel.
 Bearing balls stainless steel.
 Housing stainless steel.
 Cover aluminium.

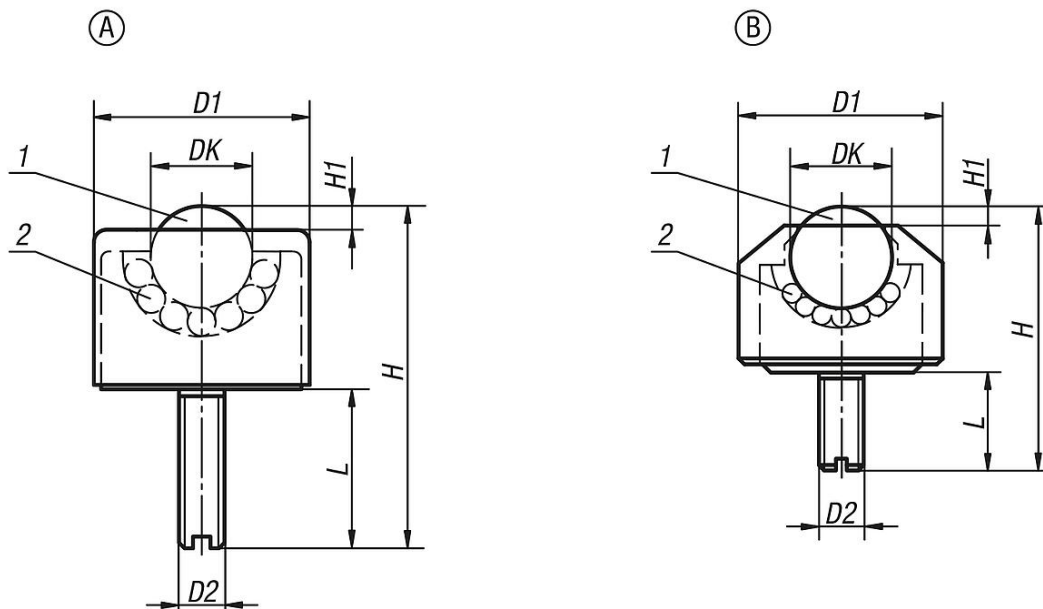
Note:

The ball transfer units comprise a housing with integrated bearing shell, a cover, a load ball and several supporting balls. For use in measuring instruments, material conveyance in clean rooms and miniature mechanisms.

Drawing reference:

- 1) load ball
- 2) bearing balls

Drawings



Overview of items

Ball transfer units mini

Order No.	Form	Main material	DK	D1	D2	H	H1	L	Load rating C (N)
K0749.1105	A	steel	4,8	13	M6	24	1	15	100