

## Ring nuts DIN 582

### Item description/product images



### Description

#### Material:

1.1141 steel, 1.4301 stainless steel or 1.4401 stainless steel.

#### Version:

drop forged.

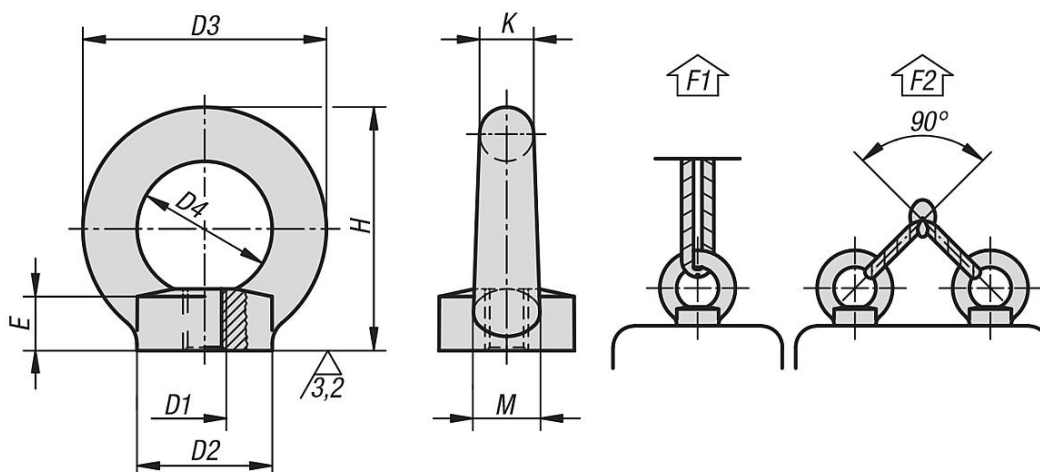
#### Note:

For high demand hoisting and carrying tasks in safety-relevant areas (machine construction, load handling equipment, lifting tackle).

The CE mark is impressed into the ring bolt.

F2 permissible load under max. 45° per ring bolt.

### Drawings



### Overview of items

#### Ring nuts DIN 582

Order No.	Main material	Surface finish body	Steel code	D1	D2	D3	D4	E	H	K	M	F1 max. kN	F2 max. kN
K0768.08	steel	bright	1.1141	M8	20	36	20	8,5	36	8	10	1,4	0,95
K0768.10	steel	bright	1.1141	M10	25	45	25	10	45	10	12	2,3	1,7
K0768.12	steel	bright	1.1141	M12	30	54	30	11	53	12	14	3,4	2,4
K0768.16	steel	bright	1.1141	M16	35	63	35	13	62	14	16	7	5
K0768.20	steel	bright	1.1141	M20	40	72	40	16	71	16	19	12	8,3
K0768.24	steel	bright	1.1141	M24	50	90	50	20	90	20	24	18	12,7
K0768.008	steel	galvanised	1.1141	M8	20	36	20	8,5	36	8	10	1,4	0,95
K0768.010	steel	galvanised	1.1141	M10	25	45	25	10	45	10	12	2,3	1,7
K0768.012	steel	galvanised	1.1141	M12	30	54	30	11	53	12	14	3,4	2,4
K0768.016	steel	galvanised	1.1141	M16	35	63	35	13	62	14	16	7	5
K0768.020	steel	galvanised	1.1141	M20	40	72	40	16	71	16	19	12	8,3
K0768.024	steel	galvanised	1.1141	M24	50	90	50	20	90	20	24	18	12,7
K0768.108	stainless steel	-	1.4301	M8	20	36	20	8,5	36	8	10	1,4	0,95
K0768.110	stainless steel	-	1.4301	M10	25	45	25	10	45	10	12	2,3	1,7
K0768.112	stainless steel	-	1.4301	M12	30	54	30	11	53	12	14	3,4	2,4
K0768.116	stainless steel	-	1.4301	M16	35	63	35	13	62	14	16	7	5
K0768.120	stainless steel	-	1.4301	M20	40	72	40	16	71	16	19	12	8,3
K0768.124	stainless steel	-	1.4301	M24	50	90	50	20	90	20	24	18	12,7