

Hexagon nuts with polyamide thread lock high type, DIN 982 / stainless steel similar to DIN 982

Item description/product images



Description

Material:

Steel, stainless steel A2 or stainless steel A4.

Version:

Steel electro zinc-plated.
Stainless steel A2, bright.
Stainless steel A4, bright.

Note:

When screwing the nuts onto the thread, the thread lock is plastically and elastically deformed. The elastic deformation causes a radial frictional lock against the nuts being loosened.

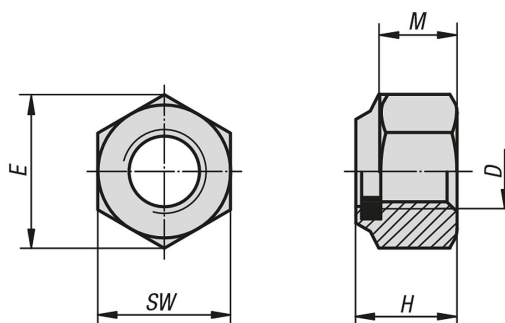
The plastic thread lock is only effective when the nuts are fully screwed onto the male thread. The screw length must be selected so that at least two full threads protrude from the nut.

Due to the plastic deformation of the thread lock, these nuts should only be used once.

Temperature range:

-50°C to +120°C.

Drawings



Overview of items

Hexagon nuts with polyamide thread lock, high type, DIN 982 / stainless steel similar to DIN 982

Order No.	Main material	Grade	DIN	D	E	H	M	SW
K1147.204	steel	6-8	DIN 982	M4	7,66	6	2,9	7
K1147.205	steel	8	DIN 982	M5	8,79	6,3	4,4	8
K1147.206	steel	8	DIN 982	M6	11,05	8	4,9	10
K1147.208	steel	8	DIN 982	M8	14,38	9,5	6,44	13
K1147.210	steel	8	DIN 982	M10	18,9	11,5	8,04	17
K1147.212	steel	8	DIN 982	M12	21,1	14	10,37	19
K1147.214	steel	8	DIN 982	M14	23,9	16	12,1	22
K1147.216	steel	8	DIN 982	M16	26,76	18	14,1	24
K1147.220	steel	8	DIN 982	M20	32,95	22	16,9	30
K1147.224	steel	8	DIN 982	M24	39,55	28	20,2	36
K1147.310	steel	10	DIN 982	M10	18,9	11,5	8,04	17