

# Socket head screws with low head DIN 6912, stainless steel

## Item description/product images



### Description

#### Material:

Stainless steel A2 or stainless steel A4.

#### Version:

Stainless steel A2-70, bright.

Stainless steel A4-70, bright.

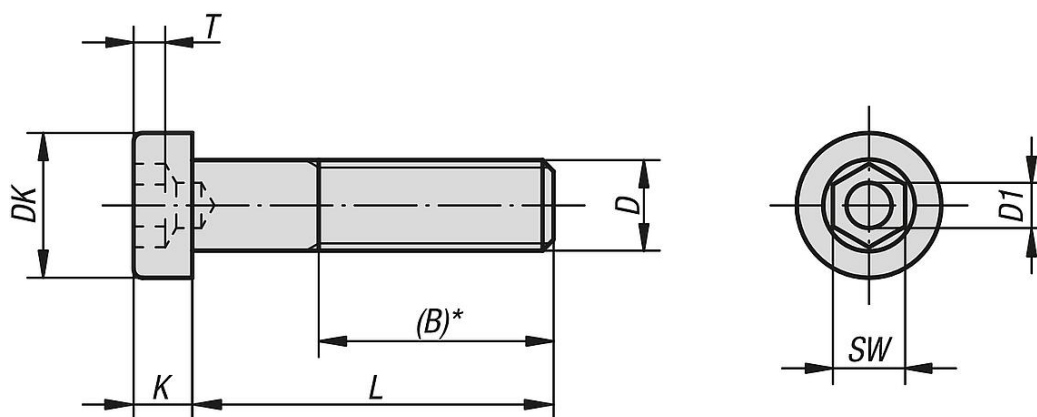
#### Note:

Screws where the dimension L is < B are threaded up to the head. The screw length or thread length is specified by the dimension L. Screws where L is > B have a shaft.

#### Drawing reference:

\* reference dimension

## Drawings



## Overview of items

Order No.	Main material	Grade	Surface finish body	D	L	B	DK	K	D1	SW	T
K1160.104X10	stainless steel A2	70	bright	M4	10	-	7	2,8	2	3	1,48
K1160.104X12	stainless steel A2	70	bright	M4	12	-	7	2,8	2	3	1,48
K1160.104X16	stainless steel A2	70	bright	M4	16	-	7	2,8	2	3	1,48
K1160.104X20	stainless steel A2	70	bright	M4	20	-	7	2,8	2	3	1,48
K1160.104X25	stainless steel A2	70	bright	M4	25	-	7	2,8	2	3	1,48
K1160.105X10	stainless steel A2	70	bright	M5	10	-	8,5	3,5	2,5	4	1,88