

Hexagon head screws, stainless steel in Hygienic DESIGN

Item description/product images



Description

Material:

Stainless steel 1.4404

Version:

Polished.

Note:

The surface of the hexagon head bolt is polished and, with regard to design optimised for the use in hygienic environments.

The bolt head is convex on the top face and the collar has a conical formed top surface.

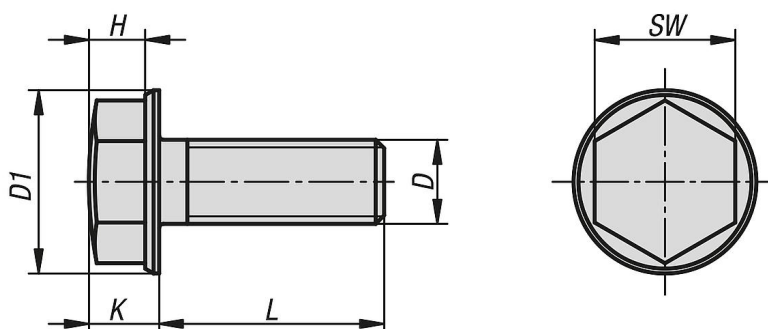
Instead of troublesome embossing or indentations, the bolt head is smooth with a surface finish of Ra 0.8 µm.

Dirt and residue from products or cleaners seldom adheres and easy cleaning is ensured.

Accessory:

For damage-free tightening and loosening of the screw we recommend the open-end spanners together with the protective caps (K1362).

Drawings



Overview of items

Hexagon head screws, stainless steel in Hygienic DESIGN

Order No.	Main material	D	D1	H	K	L	SW
K1411.03X06	stainless steel A4	M3	7	3	3,8	6	5,5
K1411.03X08	stainless steel A4	M3	7	3	3,8	8	5,5
K1411.03X10	stainless steel A4	M3	7	3	3,8	10	5,5
K1411.03X12	stainless steel A4	M3	7	3	3,8	12	5,5
K1411.03X16	stainless steel A4	M3	7	3	3,8	16	5,5
K1411.04X06	stainless steel A4	M4	9,2	3	4	6	7
K1411.04X08	stainless steel A4	M4	9,2	3	4	8	7
K1411.04X10	stainless steel A4	M4	9,2	3	4	10	7
K1411.04X12	stainless steel A4	M4	9,2	3	4	12	7
K1411.04X16	stainless steel A4	M4	9,2	3	4	16	7
K1411.04X20	stainless steel A4	M4	9,2	3	4	20	7
K1411.04X25	stainless steel A4	M4	9,2	3	4	25	7
K1411.04X30	stainless steel A4	M4	9,2	3	4	30	7
K1411.04X35	stainless steel A4	M4	9,2	3	4	35	7