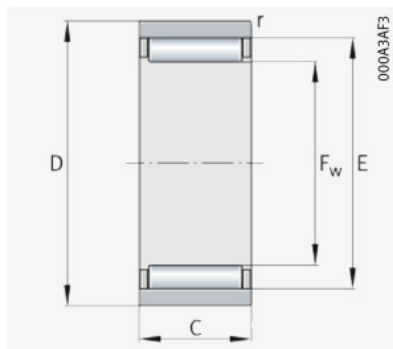


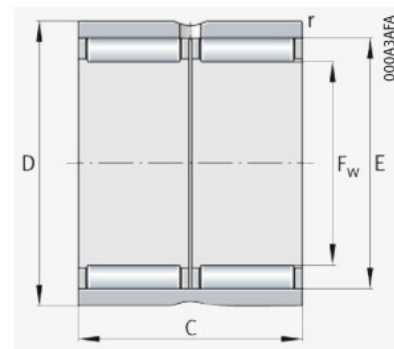


## Needle roller bearings without ribs

Without inner ring  
Open



RNAO



RNAO...-ZW-ASR1

$F_w = 5 - 35 \text{ mm}$

Main dimensions			Basic load ratings		Fatigue limit load	Limiting speed	Speed rating	Mass	Designation
$F_w$	D	C	dyn. $C_r$	stat. $C_{0r}$	$C_{ur}$	$n_G$	$n_{\partial r}$	m	▶926 1.12 ▶927 1.13 X-life ▶920
			N	N	N	$\text{min}^{-1}$	$\text{min}^{-1}$	≈ g	
5	10	8	2 650	1 920	295	39 000	53 000	3	<b>RNA05×10×8-TV-XL</b>
6	13	8	2 950	2 280	355	36 500	48 500	6	<b>RNA06×13×8-TV-XL</b>
7	14	8	3 250	2 650	410	34 500	41 500	6	<b>RNA07×14×8-TV-XL</b>
8	15	10	4 450	4 100	690	32 500	35 500	8	<b>RNA08×15×10-TV-XL</b>
10	17	10	5 300	5 500	930	29 500	28 000	10	<b>RNA010×17×10-TV-XL</b>
12	22	12	11 300	9 900	1 740	26 000	19 700	19	<b>RNA012×22×12-TV-XL</b>
15	23	13	9 700	10 900	1 760	24 300	17 900	20	<b>RNA015×23×13-XL</b>
16	24	13	10 100	11 800	1 890	23 600	16 800	21	<b>RNA016×24×13-XL</b>
	28	12	13 000	12 500	2 210	22 900	15 900	32	<b>RNA016×28×12-XL</b>
17	25	13	11 700	14 600	2 240	22 900	15 200	22	<b>RNA017×25×13-XL</b>
18	30	24	24 800	30 000	5 300	21 800	14 000	69	<b>RNA018×30×24-ZW-ASR1-XL</b>
20	28	13	11 100	14 300	2 310	21 300	13 700	25	<b>RNA020×28×13-XL</b>
	28	26	19 000	28 500	4 600	21 300	13 700	50	<b>RNA020×28×26-ZW-ASR1-XL</b>
	32	12	15 100	16 200	2 850	20 900	12 700	38	<b>RNA020×32×12-XL</b>
22	30	13	11 800	15 900	2 550	20 400	12 400	27	<b>RNA022×30×13-XL</b>
	35	16	22 600	25 500	4 200	19 200	11 200	59	<b>RNA022×35×16-XL</b>
25	35	17	16 800	26 000	4 250	18 100	11 000	53	<b>RNA025×35×17-XL</b>
	35	26	21 900	37 000	5 900	18 100	11 200	76	<b>RNA025×35×26-ZW-ASR1-XL</b>
	37	16	23 500	27 500	4 550	17 200	10 000	60	<b>RNA025×37×16-XL</b>
30	40	17	22 100	34 000	5 300	15 100	8 800	60	<b>RNA030×40×17-XL</b>
	42	16	26 000	33 500	5 500	14 600	8 500	59	<b>RNA030×42×16-XL</b>
	42	32	45 000	67 000	11 000	14 600	8 500	137	<b>RNA030×42×32-ZW-ASR1-XL</b>
35	45	13	18 300	28 000	4 450	13 100	7 800	53	<b>RNA035×45×13-XL</b>
	45	17	23 500	38 500	6 100	13 100	7 700	69	<b>RNA035×45×17-XL</b>
	45	26	31 500	56 000	8 900	13 100	7 800	91	<b>RNA035×45×26-ZW-ASR1-XL</b>
	47	16	27 500	37 500	6 200	12 700	7 500	78	<b>RNA035×47×16-XL</b>
	47	18	31 000	43 000	7 400	12 700	7 400	89	<b>RNA035×47×18-XL</b>
	47	32	47 500	75 000	12 400	12 700	7 500	156	<b>RNA035×47×32-ZW-ASR1-XL</b>

medias ▶ <https://www.schaeffler.de/std/1E0E>