



PCJY12-XL

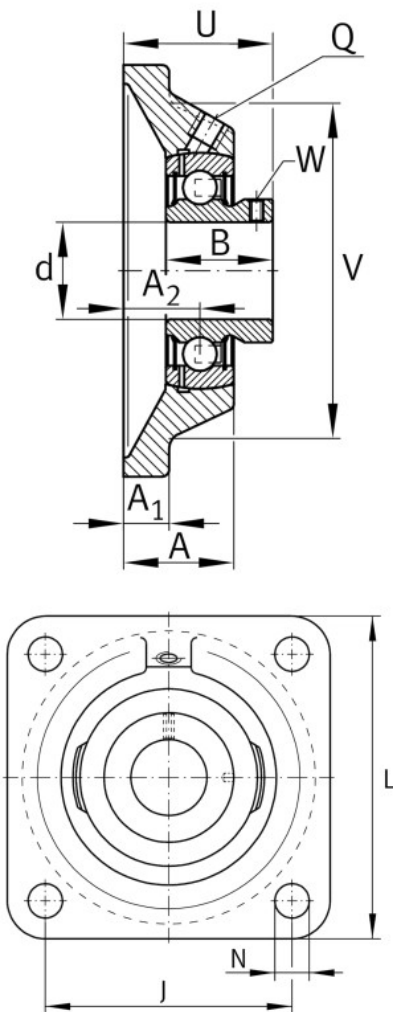
Flanged housing unit

Schaeffler ID:
0009491910000

Housing units PCJY, four-bolt flanged housing units, cast iron, grub screws in inner ring, P seals

X-life

Technical information



Main Dimensions & Performance Data

d	12 mm	Bore diameter
L	76 mm	Flange width
U	33 mm	Total height unit
C _r	10,100 N	Basic dynamic load rating, radial
C _{0r}	4,750 N	Basic static load rating, radial
C _{ur}	202 N	Fatigue load limit, radial
	0.44 kg	{Weight}

Mounting dimensions

J	54 mm	Distance fixing bore
N	11.5 mm	Fixing bore
n	4	Number of screwing holes

Dimensions

A	27 mm	Height housing
A ₁	9.5 mm	Thickness of flange
A ₂	17 mm	Distance raceway
B	22 mm	Width
V	58 mm	Shoulder diameter housing
Q	M6	Connection thread for lubrication

Additional information

	1	Number of housings
	CJ03	Housing
	GAY12-XL-NPP-B	Bearing designation

Temperature range

T _{min}	-20 °C	Operating temperature min.
T _{max}	120 °C	Operating temperature max.