



RCJTZ20-XL

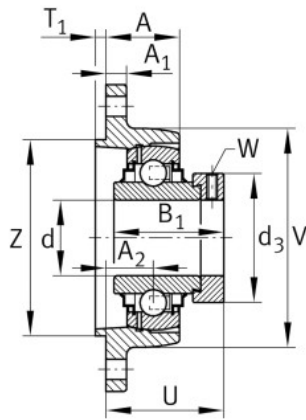
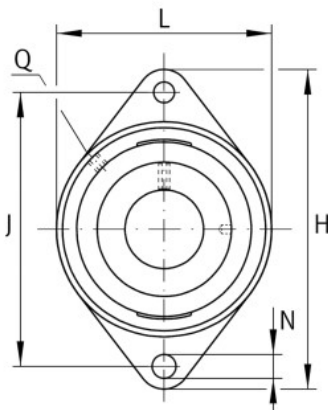
Flanged housing unit

Schaeffler ID:
0008316620000

Housing units RCJTZ, two-bolt flanged housing units, cast iron, centring spigot, eccentric locking collar, R seals

X-life

Technical information



Main Dimensions & Performance Data

d	20 mm	Bore diameter
L	60.5 mm	Flange width
H	112.5 mm	Height flange
U	45.6 mm	Total height unit
C_r	12,800 N	Basic dynamic load rating, radial
C_{0r}	6,600 N	Basic static load rating, radial
C_{ur}	315 N	Fatigue load limit, radial
	0.61 kg	Weight

Mounting dimensions

J	90 mm	Distance fixing bore
N	11.5 mm	Fixing bore
T_1	3.5 mm	Height spigot
Z	55 mm	Diameter spigot
	h8	Diameter spigot clearance
n	2	Number of screwing holes

Dimensions

A	31.7 mm	Height housing
A_1	11 mm	Thickness of flange
A_2	19 mm	Distance raceway
V	60.5 mm	Shoulder diameter housing
Q	M6	Connection thread for lubrication
d_3	33 mm	Outside diameter eccentric locking collar

Additional information

	1	Number of housings
	CJTZ04	Housing
	GE20-XL-KRR-B	Bearing designation