

Spring Plungers • double-sided  
EH 22090.

## Product Description

To be used for locating and securing, as well as electric connection.



## Material

## Body

- Brass

## Ball

- Stainless steel, hardened

## Spring

- stainless steel

## More information

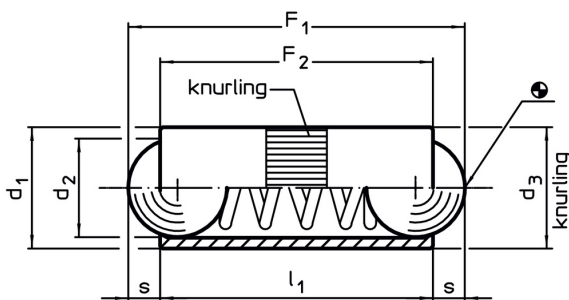
## Notes

Special types on request.  
Spring plungers are specially tested for spring range and forces.

## References

Calculation of indexing resistance, please refer to appendix - Technical Data -

## Drawing



## Order information

d <sub>1</sub>	Dimensions			Stroke s [mm]	Spring load <sup>1)</sup>		max. [°C]	Location hole H8 [mm]	[g]	Art. No.
	d <sub>2</sub>	d <sub>3</sub>	l <sub>1</sub>		F <sub>1</sub> ~ [N]	F <sub>2</sub> ~ [N]				
2.5	2.0	2.52	5.3	0.65	1.3	2.5	250	2.5	0.1	<a href="#">22090.0025</a>
3.0	2.5	3.02	7.3	0.80	2.0	4.5	250	3.0	0.3	<a href="#">22090.0030</a>
4.0	3.0	4.03	9.0	0.90	2.5	7.5	250	4.0	0.6	<a href="#">22090.0040</a>
5.0	4.0	5.03	10.8	1.20	3.5	8.0	250	5.0	1.2	<a href="#">22090.0050</a>
6.0	5.0	6.03	12.6	1.60	3.5	10.5	250	6.0	1.9	<a href="#">22090.0060</a>
7.0	6.0	7.03	14.0	2.00	4.0	12.0	250	7.0	3.0	<a href="#">22090.0070</a>
8.0	6.5	8.03	18.0	2.10	6.0	15.0	250	8.0	5.1	<a href="#">22090.0080</a>

<sup>1)</sup> statistical average value