

## Index Plungers Mini Indexes · basic type

EH 22110.



### Product Description

Particularly suitable for screwing into thin walled pieces.  
Performance in the smallest space requirements.  
Due to a thread recess the index plungers can be completely screwed in.

### Material

#### Body

- Steel, zinc-plated by galvanization
- Stainless steel 1.4305

#### Locking pin

- Stainless steel 1.4305

#### Knob

- Thermoplastic PA 6, black, dull

### Assembly

Screw in the mini index. By lifting the knob, the hexagon will be released for assembly.  
The screw length can be adapted by distance collars for index plungers (EH 22120.).

### Operation

When using the self-locking type the knob is pulled-out, turned 30° and secured by a notched catch.

### More information

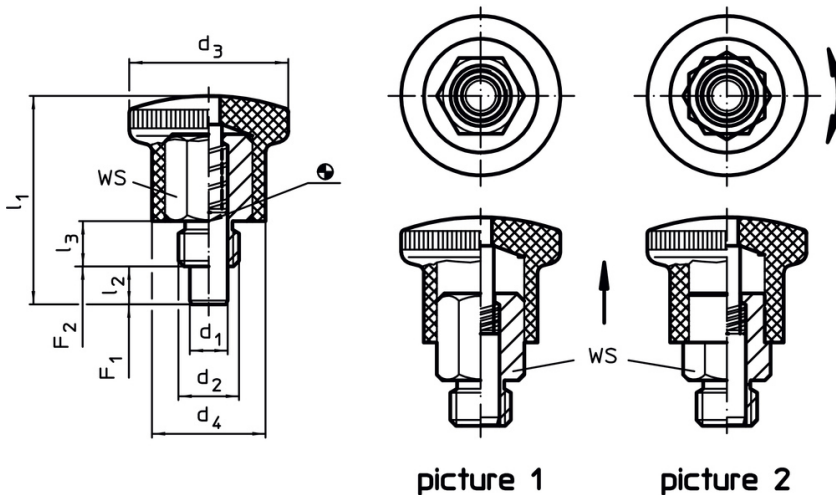
### Notes

Knob not removable.

### Further products

- Distance Collars, for index plungers

### Drawing



picture 1

picture 2

### Order information

Dimensions							WS	Spring load <sup>1)</sup>		Temperature		Weight	Art. No.
d <sub>1</sub> h9	d <sub>2</sub>	d <sub>3</sub>	d <sub>4</sub>	l <sub>1</sub>	l <sub>2</sub> min.	l <sub>3</sub>		F <sub>1</sub> ~	F <sub>2</sub> ~	min.	max.		
[mm]							[mm]	[N]		[°C]			
<b>without locking – picture 1, steel</b>													
4	M 8	21	15	27.5	5	6	10	4	12	-30	80	14	22110.0602
4	M 8 x 1	21	15	27.5	5	6	10	4	12	-30	80	14	22110.0604
5	M10	25	18	34.0	6	8	12	6	16	-30	80	25	22110.0606
5	M10 x 1	25	18	34.0	6	8	12	6	16	-30	80	24	22110.0608
6	M10	25	18	34.0	6	8	12	6	16	-30	80	25	22110.0610
6	M10 x 1	25	18	34.0	6	8	12	6	16	-30	80	25	22110.0612
6	M12	28	20	40.5	7	10	14	10	23	-30	80	40	22110.0614
6	M12 x 1,5	28	20	40.5	7	10	14	10	23	-30	80	40	22110.0616
7	M12	28	20	40.5	7	10	14	10	23	-30	80	41	22110.0618
7	M12 x 1,5	28	20	40.5	7	10	14	10	23	-30	80	40	22110.0620

<sup>1)</sup> statistical average value