

## Index Plungers Compact • with hexagon collar

EH 22110.

### Product Description



Index plungers are used for indexing bores.  
Types with / without lock have the same building height.  
Due to a thread recess the index plungers can be completely screwed in.

#### Material

##### Body

- Steel, blackened
- Stainless steel 1.4305

##### Locking pin

- Steel, hardened
- Stainless steel 1.4305, nickel-plated

##### Knob

- Thermoplastic PA 6, black, dull

#### Assembly

The screw length can be adapted by distance collars for index plungers (EH 22120.).

#### More information

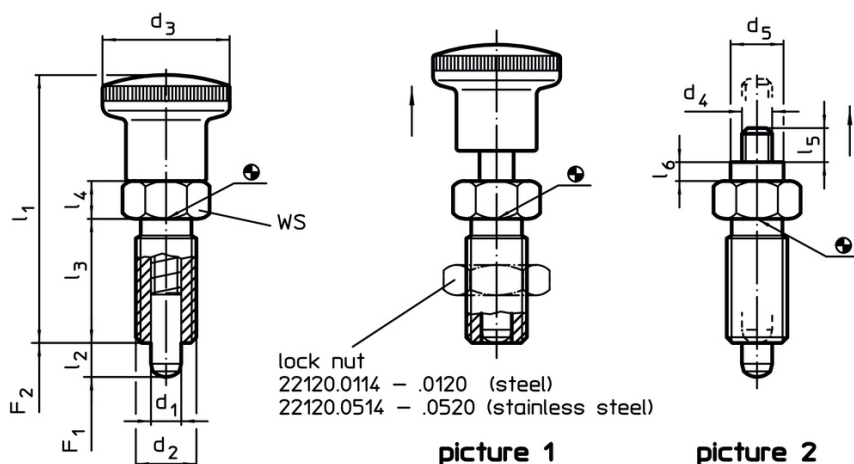
#### Notes

Knob not removable.  
Lock nuts have to be purchased separately.

#### Further products

- Mounting Blocks, for index bolts and index plungers, die-cast
- Locating Bushings, for index bolts and index plungers
- Distance Collars, for index plungers

### Drawing



### Order information

Dimensions											WS	Spring load <sup>1)</sup>		Temperature		Weight	Art. No.
d <sub>1</sub>	d <sub>2</sub>	l <sub>2</sub> min.	d <sub>3</sub>	d <sub>4</sub>	d <sub>5</sub>	l <sub>1</sub>	l <sub>3</sub>	l <sub>4</sub>	l <sub>5</sub>	l <sub>6</sub>		F <sub>1</sub> ~	F <sub>2</sub> ~	min.	max.		
[mm]											[mm]	[N]		[°C]		[g]	
<b>with knob, black – picture 1, steel</b>																	
4	M 8 x 1	4	16	–	–	35.0	16	5	–	–	10	4.5	12.0	-30	80	10	<a href="#">22110.0103</a>
4	M 8 x 1	6	16	–	–	35.0	16	5	–	–	10	4.0	12.5	-30	80	10	<a href="#">22110.0104</a>
5	M10 x 1	5	19	–	–	40.0	18	6	–	–	12	5.0	15.0	-30	80	18	<a href="#">22110.0106</a>
5	M10 x 1	8	19	–	–	40.0	18	6	–	–	12	5.0	18.0	-30	80	18	<a href="#">22110.0107</a>
6	M12 x 1,5	6	23	–	–	48.0	22	6	–	–	14	6.5	19.0	-30	80	29	<a href="#">22110.0109</a>
6	M12 x 1,5	9	23	–	–	48.0	22	6	–	–	14	6.0	25.0	-30	80	29	<a href="#">22110.0110</a>
8	M16 x 1,5	8	28	–	–	58.0	26	8	–	–	17	8.5	26.0	-30	80	62	<a href="#">22110.0112</a>
8	M16 x 1,5	12	28	–	–	58.0	26	8	–	–	17	8.5	28.0	-30	80	62	<a href="#">22110.0113</a>
10	M16 x 1,5	12	28	–	–	58.0	26	8	–	–	17	9.5	38.0	-30	80	63	<a href="#">22110.0115</a>
12	M20 x 1,5	15	33	–	–	67.0	33	10	–	–	22	11.5	40.0	-30	80	128	<a href="#">22110.0116</a>
16	M24 x 2	20	33	–	–	78.5	38	12	–	–	27	13.0	54.0	-30	80	203	<a href="#">22110.0117</a>

<sup>1)</sup> statistical average value