

## Spherical Washers / Conical Seats • similar to DIN 6319, stainless steel

EH 23050.

### Product Description

Spherical washers / Conical seats are used as washers in a screw connection to compensate non-parallel surfaces.



### Material

#### Conical seat

- Stainless steel 1.4305
- Stainless steel A4

#### Spherical washer

- Stainless steel 1.4305
- Stainless steel A4

### Assembly

Conical seats form D are to be used only for plain, closed round areas.  
For larger holes only use form G!

### Characteristic

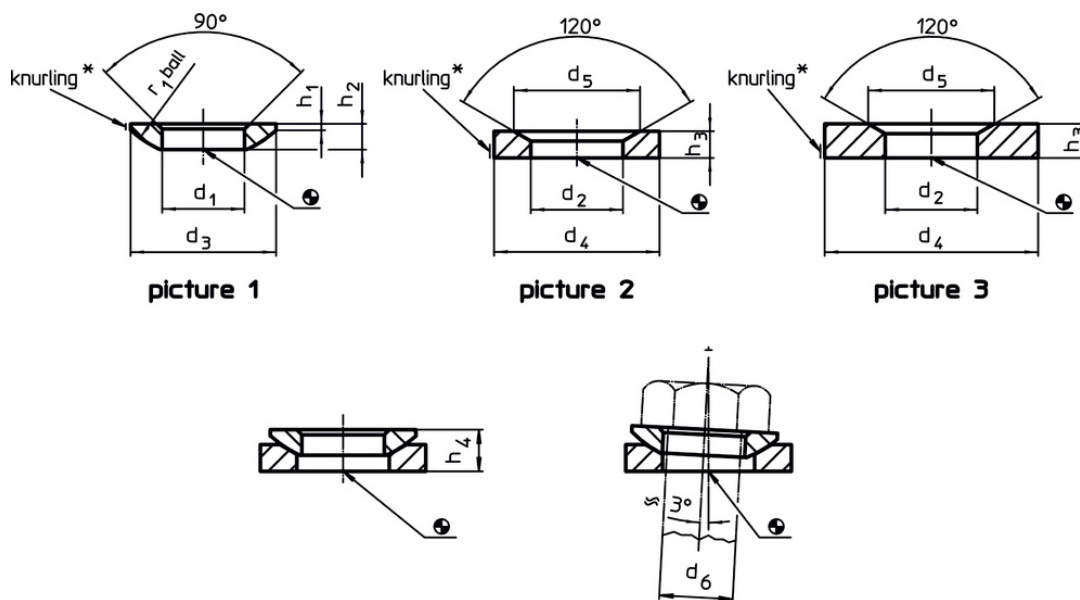
Types from stainless steel A4 with marking (knurling) according drawing.

### More information

### Further products


- Spherical Washers / Conical Seats, DIN 6319
- Fixture Nuts, DIN 6330 (height 1,5 d)

### Drawing



\* Knurling = material identification for stainless steel A4 type

### Order information

Dimensions											For pin d <sub>6</sub>	For screws d <sub>6</sub>	Load capacity for static load max.	Torque for screwed connections <sup>1)</sup> max.		Art. No.
d <sub>1</sub> H13	d <sub>2</sub> H13	d <sub>3</sub>	d <sub>4</sub>	d <sub>5</sub>	h <sub>1</sub>	h <sub>2</sub>	h <sub>3</sub>	h <sub>4</sub> with conical seat form D	h <sub>4</sub> with conical seat form G	r <sub>1</sub>						
[mm]											[mm]	[mm]	[kN]	[Nm]	[g]	
spherical washers from stainless steel, form C – picture 1, Stainless steel 1.4305																
6.4	–	12	–	–	0.7	2.3	–	4.0	5.2	9	6	M 6	6	6	1.0	23050.0306
8.4	–	17	–	–	0.6	3.2	–	5.3	6.8	12	8	M 8	12	16	2.8	23050.0308
10.5	–	21	–	–	0.8	4.0	–	6.3	7.1	15	10	M10	16	32	5.0	23050.0310
13.0	–	24	–	–	1.1	4.6	–	7.9	8.9	17	12	M12	24	56	7.7	23050.0312
17.0	–	30	–	–	1.3	5.3	–	9.3	10.1	22	16	M16	45	135	13.0	23050.0316
21.0	–	36	–	–	2.0	6.3	–	11.6	12.1	27	20	M20	71	280	23.0	23050.0320
25.0	–	44	–	–	2.4	8.2	–	14.9	15.4	32	24	M24	105	455	46.0	23050.0324

<sup>1)</sup> Torques of screws with standard thread, eventual pre-loads to be considered, coefficient of friction  $\mu_{total}$  0.14.