

## Double Eccentric Levers • with fulcrum pin EH 23380.

### Product Description

Clamping on both sides.



### Material

#### Fulcrum Pins

- Steel, case-hardened

#### Lever

- Alloyed case-hardened steel, case-hardened, blackened

#### Safety ring

- Spring steel

### More information

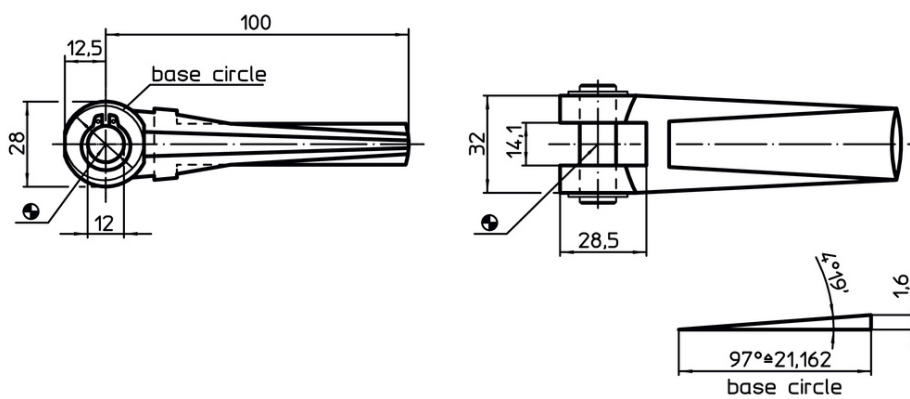
#### References

Can be used in combination with swing bolts DIN 444, M12 (EH 22980.).

#### Further products

- Swing Bolts, DIN 444, form B
- Swing Bolts, DIN 444, form B, quality 8.8 high precision design

### Drawing



### Order information

Dimensions		Art. No.
Bore Hole		
[mm]	[g]	
12	341	23380.0012