

Eccentric Levers · with fulcrum pin

EH 23390.



Product Description

The eccentric levers have an eccentric clamping range of 160°.

Material

Fulcrum Pins

- Stainless steel 1.4021, heat-treated

Eccentric part

- Steel St. 52-3, zinc phosphated
- Stainless steel 1.4301

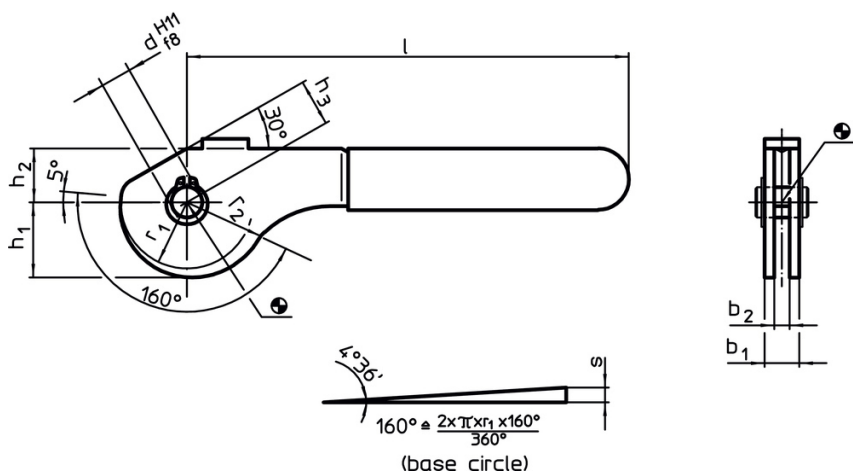
Safety ring

- Stainless steel 1.4310

Plastic cap

- PVC, red

Drawing



Order information

Dimensions										Eccentric stroke	Total stroke	🌡️	📦	Art. No.
b ₁	d H11 f8	l	r ₁	r ₂	b ₂	h ₁	h ₂	h ₃		s	r ₂ -h ₃	max.		
[mm]										[mm]	[mm]	[°C]	[g]	
steel														
13	8	114	17.2	21.07	9	19.54	14	12		3.87	9.07	60	92	23390.0408
17	10	138	21.6	26.45	12	24.54	17	15		4.85	11.45	60	179	23390.0410
20	12	157	28.0	34.29	14	31.81	21	18		6.29	16.29	60	286	23390.0412
stainless steel														
13	8	114	17.2	21.07	9	19.54	14	12		3.87	9.07	60	94	23390.0508
17	10	138	21.6	26.45	12	24.54	17	15		4.85	11.45	60	179	23390.0510
20	12	157	28.0	34.29	14	31.81	21	18		6.29	16.29	60	290	23390.0512