

## U-Handles · with support washer

EH 24310.



### Product Description

U-handles are used, for example, on machine doors, furniture doors, cabinet doors, drawers and drawer units.

These rounded U-handles are characterised by their ergonomic and stable construction and their simple and timeless design.

### Material

#### Handle

- Steel, chromium-plated
- Steel, plastic coated, black
- Stainless steel 1.4305, dull blasted

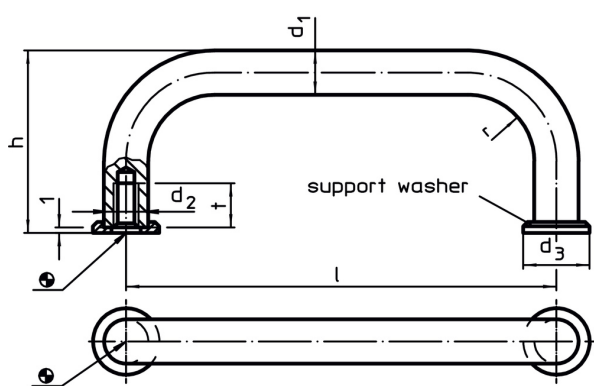
#### Support washer

- Zinc die-cast, nickel-plated
- stainless steel

### Assembly

The supporting washer provides a good bearing surface. Suitable washers are joined in loose form.

### Drawing



### Order information

d <sub>1</sub>	l ±0.5	d <sub>2</sub>	Dimensions				t min.	[g]	Art. No.
			d <sub>3</sub>	h	r	[mm]			
<b>Steel, chromium-plated</b>									
8	55	M4	12	35	10	8	41	24310.0010	
8	64	M4	12	35	10	8	44	24310.0020	
8	88	M4	12	35	10	8	54	24310.0030	
8	96	M4	12	35	10	8	57	24310.0040	
8	100	M4	12	35	10	8	60	24310.0050	
8	120	M4	12	35	10	8	66	24310.0060	
8	128	M4	12	35	10	8	69	24310.0110	
10	88	M5	15	43	12	12	91	24310.0120	
10	100	M5	15	43	12	12	98	24310.0130	
10	120	M5	15	43	12	12	109	24310.0140	
10	180	M5	15	43	12	12	146	24310.0150	
10	200	M5	15	43	12	12	161	24310.0160	
10	235	M5	15	43	12	12	183	24310.0170	
<b>Steel, plastic coated, black</b>									
8	55	M4	12	35	10	8	40	24310.0310	
8	64	M4	12	35	10	8	44	24310.0320	
8	88	M4	12	35	10	8	50	24310.0330	
8	96	M4	12	35	10	8	57	24310.0340	
8	100	M4	12	35	10	8	59	24310.0350	
8	120	M4	12	35	10	8	65	24310.0360	
8	128	M4	12	35	10	8	69	24310.0410	
10	88	M5	15	43	12	12	91	24310.0420	
10	100	M5	15	43	12	12	98	24310.0430	