

**U-Handles · plastic**  
EH 24320.

**Product Description**



U-handles are used, for example, on machine doors, furniture doors, cabinet doors, drawers and drawer units.

These U-handles made of glass fibre reinforced plastic are characterised by their ergonomic and stable construction and their simple and timeless design.

**Material**

**Bushing**

- Brass

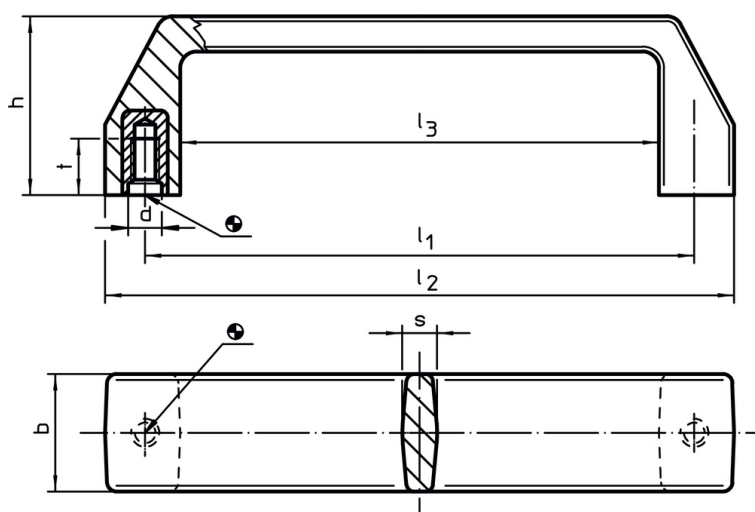
**Handle**

- Thermoplastic PA, glass-fibre reinforced, black

**Assembly**

Back mount handle.

**Drawing**



**Order information**

Dimensions								max. [°C]	[g]	Art. No.
$l_1$ $\pm 0.5$	d	b	h	$l_2$	$l_3$	s	t			
[mm]										
93.5	M6	21	36	107	79	6.0	10	100	31	<a href="#">24320.0210</a>
117.0	M6	25	38	134	102	7.5	12	100	54	<a href="#">24320.0220</a>
117.0	M8	25	38	134	102	7.5	12	100	50	<a href="#">24320.0230</a>
132.0	M8	26	45	150	116	8.0	13	100	59	<a href="#">24320.0240</a>

**Application example**

