

**Ball Knobs • DIN 319**  
EH 24560.

**Product Description**

The DIN 319 ball knobs are jointless and polished.



**Material**

**Bushing**

- Steel, zinc-plated by galvanization
- Brass

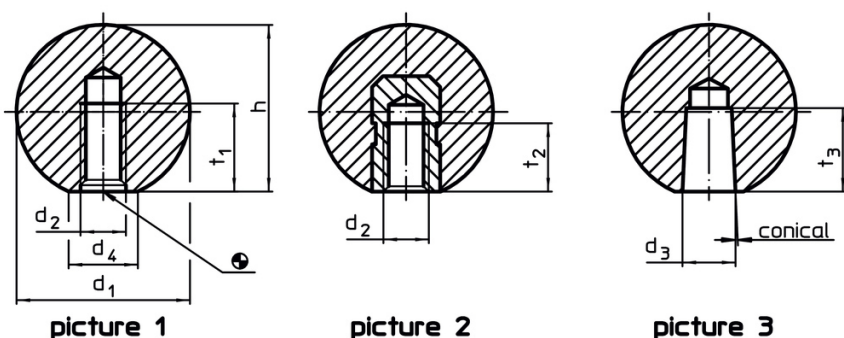
**Ball**

- DIN 7708 - thermosetting plastic (PF 31), black similar to RAL 9005
- DIN 7708 - thermosetting plastic (PF 31), red similar to RAL 3003

**Assembly**

**Assembly instruction for form M:** Fitted by lightly tapping with a hammer, holds in position without being cemented. For the counter element a h9-fit is sufficient.

**Drawing**



**Order information**

| Dimensions   |                |                |                     |        |                        |                        |                        |   | For pin<br>h9 | 🌡️<br>max. | 📦<br>[g] | Art. No.                 |
|--|----------------|----------------|---------------------|--------|------------------------|------------------------|------------------------|---|---------------|------------|----------|--------------------------|
| d <sub>1</sub>   | d <sub>2</sub> | d <sub>3</sub> | d <sub>4</sub><br>~ | h<br>~ | t <sub>1</sub><br>min. | t <sub>2</sub><br>min. | t <sub>3</sub><br>min. |   | [mm]          | [°C]       |          |                          |
| [mm]   |                |                |                     |        |                        |                        |                        |   |               |            |          |                          |
| <b>with moulded material thread, form C – picture 1, black</b> |                |                |                     |        |                        |                        |                        |   |               |            |          |                          |
| 16   | M 4            | –              | 8                   | 15.0   | 7                      | –                      | –                      | – | –             | 110        | 3.2      | 24560.0016               |
| 20   | M 5            | –              | 12                  | 18.0   | 9                      | –                      | –                      | – | –             | 110        | 5.2      | 24560.0020               |
| 25   | M 6            | –              | 15                  | 22.5   | 11                     | –                      | –                      | – | –             | 110        | 10.0     | 24560.0025               |
| 32   | M 8            | –              | 18                  | 29.0   | 14                     | –                      | –                      | – | –             | 110        | 22.0     | 24560.0032               |
| 40   | M10            | –              | 22                  | 37.0   | 18                     | –                      | –                      | – | –             | 110        | 42.0     | 24560.0040               |
| 50   | M12            | –              | 28                  | 46.0   | 21                     | –                      | –                      | – | –             | 110        | 86.0     | 24560.0050               |
| <b>with threaded bushing, form E – picture 2, black</b>        |                |                |                     |        |                        |                        |                        |   |               |            |          |                          |
| 16   | M 4            | –              | 8                   | 15.0   | –                      | 6.0                    | –                      | – | –             | 110        | 3.9      | 24560.0116 <sup>1)</sup> |
| 20   | M 5            | –              | 12                  | 18.0   | –                      | 7.5                    | –                      | – | –             | 110        | 8.0      | 24560.0120               |
| 25   | M 6            | –              | 15                  | 22.5   | –                      | 9.0                    | –                      | – | –             | 110        | 14.0     | 24560.0125               |
| 32   | M 8            | –              | 18                  | 29.0   | –                      | 12.0                   | –                      | – | –             | 110        | 26.0     | 24560.0132               |
| 40   | M10            | –              | 22                  | 37.0   | –                      | 15.0                   | –                      | – | –             | 110        | 56.0     | 24560.0140               |
| 50   | M12            | –              | 28                  | 46.0   | –                      | 18.0                   | –                      | – | –             | 110        | 108.0    | 24560.0150               |
| <b>with moulded material thread, form C – picture 1, red</b>   |                |                |                     |        |                        |                        |                        |   |               |            |          |                          |
| 16   | M 4            | –              | 8                   | 15.0   | 7                      | –                      | –                      | – | –             | 110        | 3.0      | 24560.0516               |
| 20   | M 5            | –              | 12                  | 18.0   | 9                      | –                      | –                      | – | –             | 110        | 5.0      | 24560.0520               |
| 25   | M 6            | –              | 15                  | 22.5   | 11                     | –                      | –                      | – | –             | 110        | 11.0     | 24560.0525               |
| 32   | M 8            | –              | 18                  | 29.0   | 14                     | –                      | –                      | – | –             | 110        | 23.0     | 24560.0532               |
| 40   | M10            | –              | 22                  | 37.0   | 18                     | –                      | –                      | – | –             | 110        | 43.0     | 24560.0540               |
| 50   | M12            | –              | 28                  | 46.0   | 21                     | –                      | –                      | – | –             | 110        | 86.0     | 24560.0550               |

<sup>1)</sup> bushing from brass