

## Handwheels • DIN 950 grey cast iron

EH 24580.

### Product Description

Hub machined; rim turned and mirror-finished on all sides, non-machined surfaces cleanly blasted.



### Material

#### Handwheel

- Grey cast iron GG

#### Machine handle DIN 39 EH 24450.

- Steel, turned, zinc-plated by galvanization, passivated

#### Machine handle DIN 98 EH 24460. rotating

- Steel, turned, zinc-plated by galvanization, passivated

### Assembly

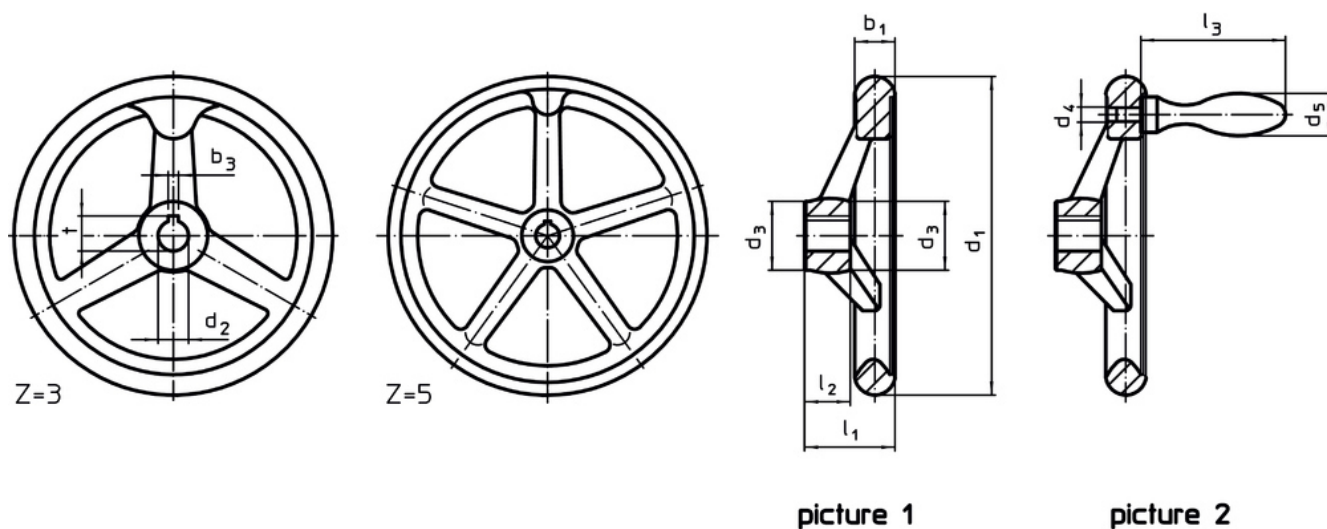
Shaft-end washers EH 22270. for axial fastening.

### More information

### Further products

- Shaft-End Washers
- Rotating Machine Handles, DIN 98

### Drawing



picture 1

picture 2

The orientation of the hub keyway may be different than shown in the drawing.

### Order information

Dimensions								Hub keyway, DIN 6885 sheet 1		Number of spokes z	Corresponding machine handle DIN 39 / DIN 98	🔩	Art. No.
d <sub>1</sub>	d <sub>2</sub> H7	d <sub>3</sub>	d <sub>4</sub>	d <sub>5</sub>	l <sub>1</sub> ~	l <sub>2</sub>	l <sub>3</sub> ~	b <sub>3</sub>	t				
[mm]								[mm]		[mm]			
without hub keyway, without handle, form B-F/A (formerly: A 4) – picture 1													
80	10	24	–	–	29	16	–	–	–	3	–	304 g	24580.0000
80	12	24	–	–	29	16	–	–	–	3	–	319 g	24580.0001
100	10	26	–	–	33	17	–	–	–	3	–	486 g	24580.0005
100	12	26	–	–	33	17	–	–	–	3	–	506 g	24580.0006
125	12	28	–	–	36	18	–	–	–	3	–	720 g	24580.0010
125	14	28	–	–	36	18	–	–	–	3	–	750 g	24580.0011
140	14	30	–	–	39	19	–	–	–	3	–	865 g	24580.0015
140	16	30	–	–	39	19	–	–	–	3	–	907 g	24580.0016
160	14	32	–	–	40	20	–	–	–	3	–	1151 g	24580.0020
160	16	32	–	–	40	20	–	–	–	3	–	1145 g	24580.0021
200	18	38	–	–	45	24	–	–	–	3	–	2 kg	24580.0030
200	22	38	–	–	45	24	–	–	–	3	–	2 kg	24580.0031
250	22	45	–	–	50	28	–	–	–	5	–	4 kg	24580.0040
250	26	45	–	–	50	28	–	–	–	5	–	4 kg	24580.0041