

Star Grips • DIN 6336 light metal
EH 24660.

Product Description

These star grips are manufactured according to DIN 6336.

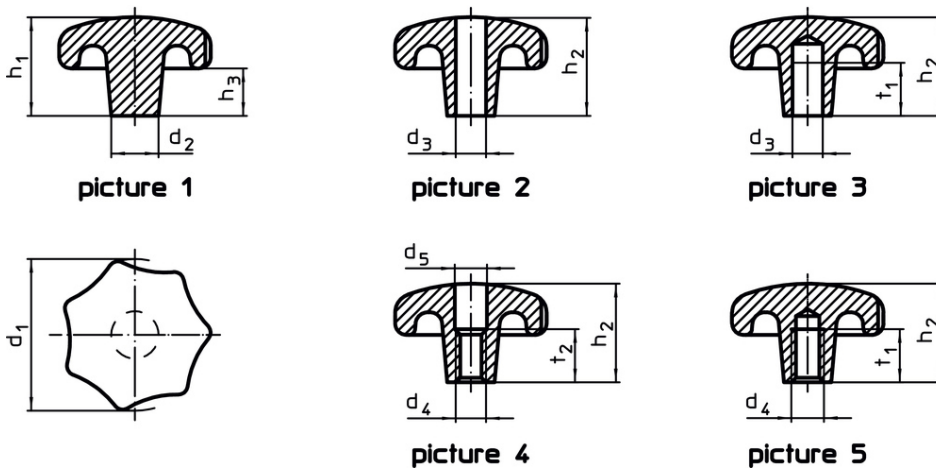
Material

Handle

- Light metal Al, unpolished
- Light metal Al, polished



Drawing



Order information

d ₁	d ₂	d ₃ H7	d ₄	Dimensions						[g]	Art. No.	
				d ₅	h ₁	h ₂	h ₃	t ₁ min.	t ₂			
[mm]												
raw part, form A – picture 1, unpolished												
40	14	–	–	–	26	–	13	–	–	–	36	24660.0040
50	18	–	–	–	34	–	17	–	–	–	70	24660.0050
63	20	–	–	–	42	–	21	–	–	–	128	24660.0063
80	25	–	–	–	52	–	25	–	–	–	245	24660.0080
with smooth blind hole, form C – picture 3, unpolished												
40	14	8	–	–	–	25	–	15	–	–	30	24660.0240
50	18	10	–	–	–	32	–	18	–	–	63	24660.0250
63	20	12	–	–	–	40	–	22	–	–	117	24660.0263
80	25	16	–	–	–	50	–	28	–	–	223	24660.0280
with thread, drilled out, form D – picture 4, unpolished												
40	14	–	M 8	8.4	–	25	–	–	–	13	32	24660.0340
50	18	–	M10	10.5	–	32	–	–	–	16	62	24660.0350
63	20	–	M12	13.0	–	40	–	–	–	20	109	24660.0363
80	25	–	M16	17.0	–	50	–	–	–	20	218	24660.0380
with threaded blind hole, form E – picture 5, unpolished												
40	14	–	M 8	–	–	25	–	15	–	–	33	24660.0440
50	18	–	M10	–	–	32	–	18	–	–	63	24660.0450
63	20	–	M12	–	–	40	–	22	–	–	118	24660.0463
80	25	–	M16	–	–	50	–	28	–	–	227	24660.0480