

Star Grips • DIN 6336 plastic
EH 24670.

Product Description



Material

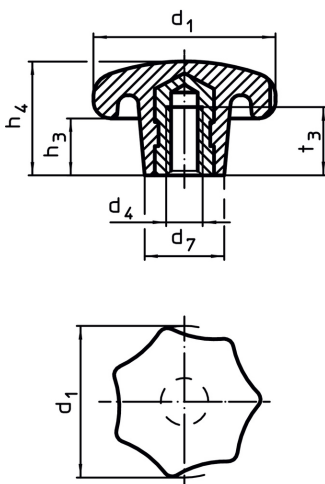
Bushing

- Brass
- Steel, zinc-plated by galvanization
- Stainless steel A2

Handle

- DIN 7708 - thermosetting plastic (PF 31), black similar to RAL 9005

Drawing



Order information

| Dimensions | | | | | | max. [°C] | [g] | Art. No. |
|---|----------------|----------------|----------------|----------------|----------------|--------------|-------|----------------------------|
| d ₁ | d ₄ | d ₇ | h ₃ | h ₄ | t ₃ | | | |
| with threaded bushing, form K, Brass | | | | | | | | |
| 20 | M 4 | 10 | 7 | 13 | 6.5 | 110 | 3.4 | 24670.0220 |
| with threaded bushing, form K, steel | | | | | | | | |
| 25 | M 5 | 12 | 8 | 16 | 9.5 | 110 | 7.4 | 24670.0225 |
| 32 | M 6 | 14 | 10 | 20 | 12.0 | 110 | 13.0 | 24670.0232 |
| 40 | M 8 | 18 | 13 | 25 | 14.0 | 110 | 20.0 | 24670.0240 |
| 50 | M10 | 22 | 17 | 32 | 18.0 | 110 | 40.0 | 24670.0250 |
| 63 | M12 | 26 | 21 | 40 | 22.0 | 110 | 83.0 | 24670.0263 |
| 80 | M16 | 35 | 25 | 50 | 30.0 | 110 | 161.0 | 24670.0280 |
| with threaded bushing, form K, stainless steel | | | | | | | | |
| 25 | M 5 | 12 | 8 | 16 | 9.5 | 110 | 7.4 | 24670.1225 |
| 32 | M 6 | 14 | 10 | 20 | 12.0 | 110 | 13.0 | 24670.1232 |
| 40 | M 8 | 18 | 13 | 25 | 14.0 | 110 | 25.0 | 24670.1240 |
| 50 | M10 | 22 | 17 | 32 | 18.0 | 110 | 40.0 | 24670.1250 |
| 63 | M12 | 26 | 21 | 40 | 22.0 | 110 | 84.0 | 24670.1263 |
| 80 | M16 | 35 | 25 | 50 | 30.0 | 110 | 157.0 | 24670.1280 |