

Set Collars

EH 25069.



Product Description

Set collars with universal applicability, e.g. as a fixed stop.
Set collars with strong clamping force.

Material

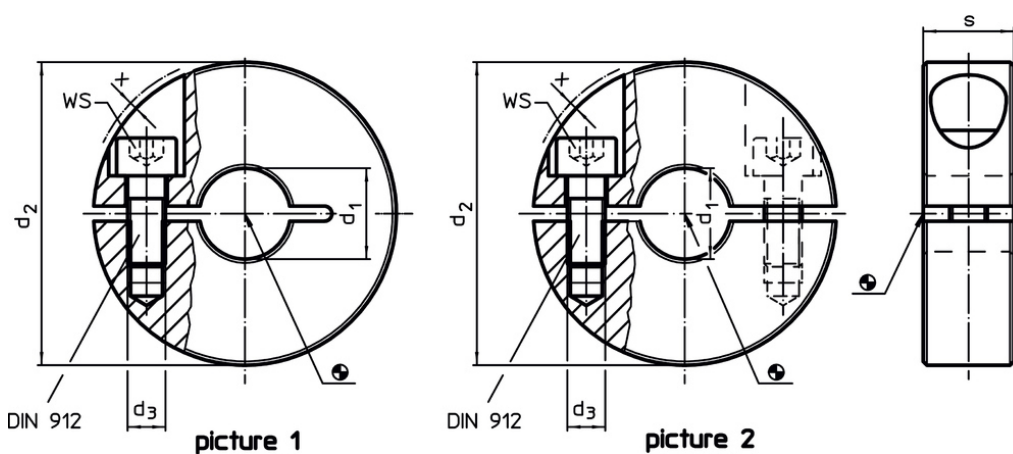
Screw

- steel
- stainless steel

Set collar

- Steel, black, steam oxidized
- Stainless steel 1.4404

Drawing



Order information

d ₁ H10	d ₂	Dimensions			WS [mm]	[g]	Art. No.
		d ₃ [mm]	s	x			
slotted – picture 1, steel							
6	20	M3	9	1.2	2.5	20	25069.0006
8	22	M3	9	1.0	2.5	18	25069.0008
10	26	M4	11	1.6	3.0	32	25069.0010
12	30	M4	11	0.7	3.0	42	25069.0012
14	32	M4	11	0.7	3.0	40	25069.0014
15	36	M5	13	1.4	4.0	70	25069.0015
16	36	M5	13	1.4	4.0	68	25069.0016
18	42	M5	15	0.6	4.0	109	25069.0018
20	42	M5	15	0.6	4.0	103	25069.0020
22	48	M5	15	0.0	4.0	138	25069.0022
25	48	M5	15	0.0	4.0	126	25069.0025
28	55	M6	15	0.5	5.0	171	25069.0028
30	55	M6	15	0.5	5.0	162	25069.0030
32	60	M6	15	0.4	5.0	196	25069.0032
35	60	M6	15	0.4	5.0	178	25069.0035
40	65	M6	15	0.5	5.0	200	25069.0040
slotted – picture 1, stainless steel							
6	20	M3	9	1.2	2.5	20	25069.0106
8	22	M3	9	1.0	2.5	19	25069.0108
10	26	M4	11	1.6	3.0	33	25069.0110
12	30	M4	11	0.7	3.0	40	25069.0112
14	32	M4	11	0.7	3.0	40	25069.0114