

## Quick Plug Couplings · with radial offset compensation

EH 25100.



### Product Description

Quick plug coupling with radial offset compensation for multiple applications, e.g. as a link between a piston rod and a linear movement unit.

### Material

#### Claw

- Heat-treated steel, tempered, phosphated

#### Coupling part

- Heat-treated steel, tempered, phosphated

#### Lock nut

- Steel, black (ISO 4035/8675)

### Assembly

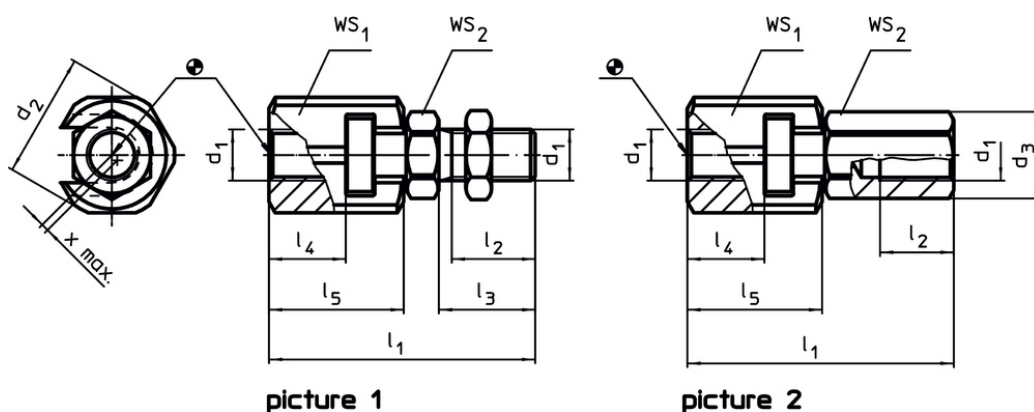
Assembly and disassembly of this simple, solid and two-part coupling is by means of a T-slot; a manual re-adjustment is not necessary. The quick plug coupling can be linked to all commonly used pneumatic and hydraulic lifting cylinders via the connecting thread.

### More information

### Notes

The quick plug coupling does not transmit any torque.

### Drawing



### Order information

d <sub>1</sub>	d <sub>2</sub>	d <sub>3</sub>	Dimensions					WS		Radial offset compensation x max. [mm]	Maximum tensile and compressive load max. [kN]	[g]	Art. No.
			l <sub>1</sub> ~ [mm]	l <sub>2</sub> min.	l <sub>3</sub>	l <sub>4</sub> min.	l <sub>5</sub>	WS <sub>1</sub>	WS <sub>2</sub>				
<b>with coupling screw – picture 1</b>													
M 6	21.0	–	37.5	11.0	14	9.0	18.0	19	10	0.6	2.5	44	25100.0006
M 8	26.0	–	45.0	13.5	17	11.5	22.5	24	13	0.7	4.5	86	25100.0008
M10	30.0	–	56.2	16.0	20	16.0	29.0	27	17	0.7	6.5	148	25100.0010
M12	32.5	–	66.7	21.0	25	17.0	34.0	30	19	0.8	10.0	209	25100.0012
M16	39.0	–	83.0	25.0	30	23.0	42.0	36	24	1.0	18.0	382	25100.0016
M20	44.0	–	93.5	29.0	35	23.5	45.5	41	30	1.0	30.0	572	25100.0020
M10 x 1,25	30.0	–	56.2	16.0	20	16.0	29.0	27	17	0.7	6.5	148	25100.0030
M12 x 1,25	32.5	–	66.7	21.0	25	17.0	34.0	30	19	0.8	10.0	209	25100.0032
M16 x 1,5	39.0	–	83.0	25.0	30	23.0	42.0	36	24	1.0	18.0	381	25100.0036
M20 x 1,5	44.0	–	93.5	29.0	35	23.5	45.5	41	30	1.0	30.0	571	25100.0040
<b>with coupling nut – picture 2</b>													
M 6	21.0	11.0	37.5	11.0	–	9.0	18.0	19	10	0.6	2.5	46	25100.0056
M 8	26.0	14.4	45.0	13.5	–	11.5	22.5	24	13	0.7	4.5	91	25100.0058
M10	30.0	19.0	56.2	15.0	–	16.0	29.0	27	17	0.7	6.5	159	25100.0060
M12	32.5	21.2	66.7	17.5	–	17.0	34.0	30	19	0.8	10.0	224	25100.0062
M16	39.0	27.0	83.0	22.0	–	23.0	42.0	36	24	1.0	18.0	403	25100.0066
M20	44.0	34.0	93.5	25.0	–	23.5	45.5	41	30	1.0	30.0	606	25100.0070