

Height-Adjusting Elements • high

EH 25120.



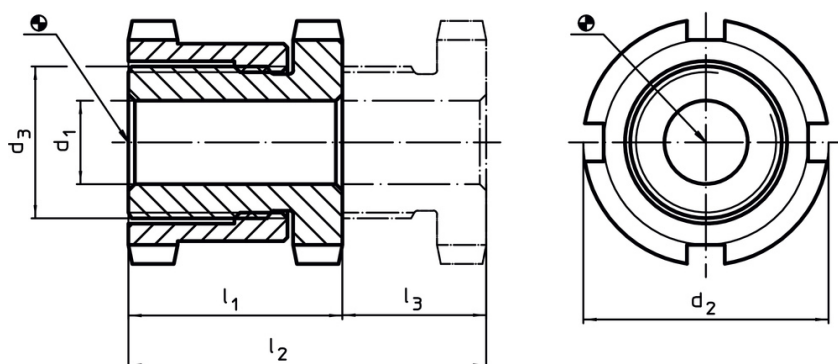
Product Description

For levelling of machines and installations.
For vertical adjustment, the self-locking height-adjusting elements are fitted with a fine-pitch thread. All elements have a throughgoing bore for fastening purposes. A turn-out lock serves as height limit for the maximum adjustment height.

Material

- Heat-treated steel, zinc-plated by galvanization, chromalized

Drawing



Order information

d ₁	d ₂	Dimensions		l ₁ ~	l ₂ ~	Stroke l ₃ ~ [mm]	For screw [mm]	Load capacity for static load max. [kN]	Load capacity max. [kN]	🔩 [g]	Art. No.
		d ₃	[mm]								
6.6	25	M15 x 1		28	43	15	M 6	40	30.7	68	25120.0106
6.6	32	M20 x 1		35	55	20	M 6	65	55.7	161	25120.0112
9.0	32	M20 x 1		35	55	20	M 8	65	48.0	152	25120.0114
11.0	32	M20 x 1		35	55	20	M10	65	37.9	142	25120.0116
11.0	45	M30 x 1,5		42	67	25	M10	120	92.9	371	25120.0122
13.5	45	M30 x 1,5		42	67	25	M12	120	80.4	356	25120.0124
17.5	45	M30 x 1,5		42	67	25	M16	120	45.5	326	25120.0126
17.5	58	M40 x 1,5		54	86	32	M16	210	136.0	835	25120.0132
22.0	58	M40 x 1,5		54	86	32	M20	210	90.0	771	25120.0134
26.0	58	M40 x 1,5		54	86	32	M24	210	37.0	705	25120.0136
22.0	70	M50 x 1,5		66	106	40	M20	330	210.0	1421	25120.0142
26.0	70	M50 x 1,5		66	106	40	M24	330	157.0	1329	25120.0144
33.0	70	M50 x 1,5		66	106	40	M30	330	53.0	1167	25120.0146