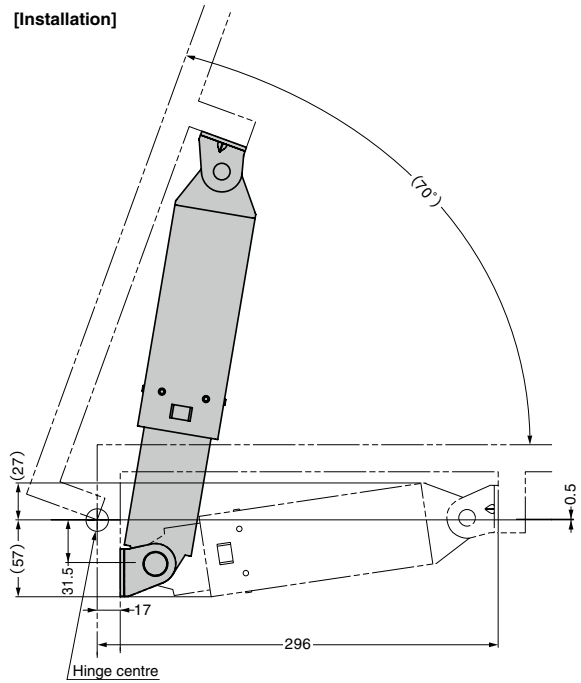


[Installation]



LIFT ASSIST STAYS

SOFT CLOSING STAYS

TORQUE STAYS

HEAVY DUTY LOCKING STAYS

FOOT STAYS

LID STAYS

OTHER STAYS

TOP-OPENING

DOWNWARD-OPENING

UPWARD-OPENING

BOTTOM-OPENING

SWING DOOR

LIFT-UP

LIFT-DOWN

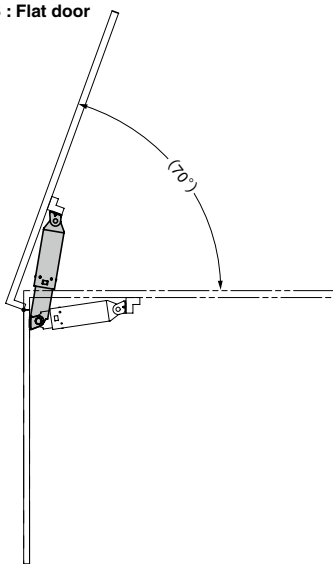
UP & OVER

BI-FOLDING

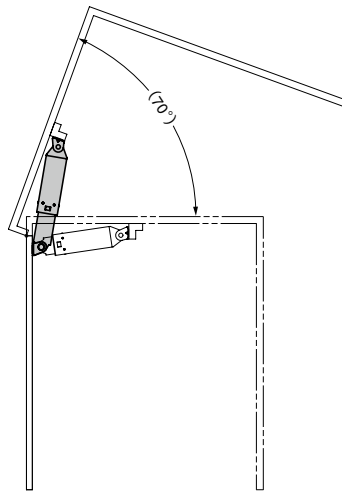
OVER THE TOP

[Applicable Door Shape]

S-ATH-60S : Flat door



S-ATH-70S : L-shaped door



RHS	CAD	Item Code	Item Name	Applicable Door Shape	Material	Finish	Maximum Door Moment N·m/pc	Maximum Door Moment kgf·cm/pc	Weight (g)	Box (pcs)
		180-033-866	S-ATH-60S	Flat Door	Stainless Steel (SUS304)	Satin	60	611.6	2500	1
		180-033-867	S-ATH-70S	L-shaped door			70	713.6		1