

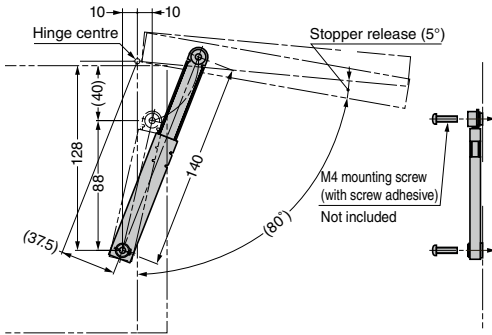
# MINI LID STAY (W/ LOCK) L-SL140 Safety Lock Release



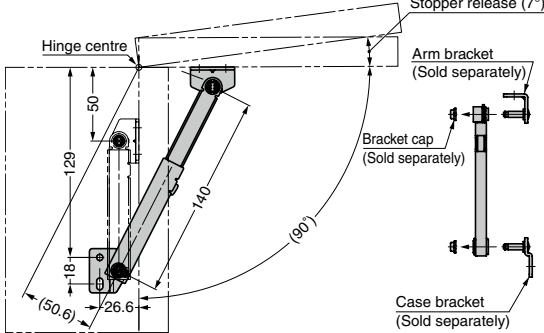
Opening Direction	Description	Non-handed	Qty	Compression Load
 Top-opening	 Upward-opening	Locks When Fully Opened	Yes	1 Pc Per Door 147 N/pc (15 kgf/pc)

### [Installation]

#### Without bracket



#### With bracket

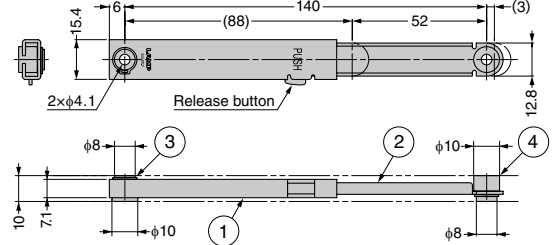


### [Remarks]

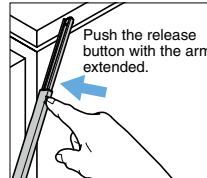
- Can be locked automatically at the door position fully opened. Releases by pushing the release button with the door opened and arm extended. (Safety lock release)
- Installation pitch is identical to L-140S **1**.
- Can be installed in a small space due to compact design.
- Used for opening and closing of small device or door.
- Do not use this product as a stopper.
- Allow room for stroke when installing.
- Securely fix the mounting screws with screw adhesive.
- Use 1 pc for 1 door.
- Opening angle and installation position change depending on the position of hinge centre. Determine the installation position based on the hinges used and cabinet shape.
- For wooden door, use BRACKET L-SL140-BT (sold separately) **2**.
- Calculate suitable door size with reference to LID STAY SERIES **3**.

### [Sold Separately]

- Mounting bracket L-SL140-BT **2**



### [Lock Release]

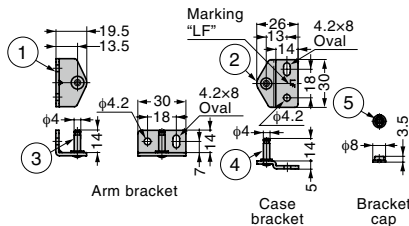


No.	Part Name	Material	Finish/Colour
①	Body	Stainless Steel (SUS304)	Barrel
②	Arm		Polished
③	Case Bracket		-
④	Arm Bracket		

RoHS	CAD	Item Code	Item Name	Compression Load N/pc	Compression Load kgf/pc	Weight (g)	Box (pcs)	Carton (pcs)
		180-109-354	L-SL140	147	15	51	30	300

Refer to **1** : P.414, **2** : P.413, **3** : P.399

# BRACKET L-SL140-BT For L-SL140



- Bracket for L-SL140 **1**.
- One-touch installation with the bracket cap.
- Refer to L-SL140 **1** for installation details.

### [Remarks]

- For L-SL140 only.
- Do not apply excessive force in the direction of removing the cap.

RoHS	CAD	Item Code	Item Name	Weight (g)	Box (sets)	Carton (sets)
		180-028-719	L-SL140-BT	27	30	300

Refer to **1** : P.413

No.	Part Name	Material	Finish/Colour
①	Arm Bracket	Stainless Steel (SUS304)	Barrel Polished
②	Case Bracket		
③	Shaft of Arm Bracket	Stainless Steel	Plain
④	Shaft of Case Bracket	(SUS303)	
⑤	Bracket Cap	POM	Black