

# KNUCKLE CATCH JC-24, JC-26

TEST METHOD 10



● Can be used for overlay and inset door.

**[Applications]**

● Furniture, kitchen equipment and marine hardware, etc.

**[Remarks]**

● Catch force varies. Please check with actual item.

● The push-in and pulling force may vary for ±20-30%. Please check with the actual item.

MAGNETIC CATCHES

KNUCKLE CATCHES & TENSION CATCHES

TOUCH LATCHES

LEVER LATCHES

SLIDE / BARREL BOLTS

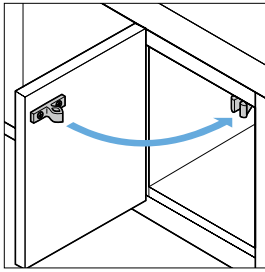
DRAW LATCHES

PUSH LOCK FASTENERS & KNOB FASTENERS

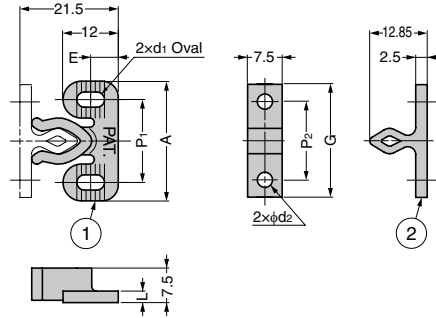
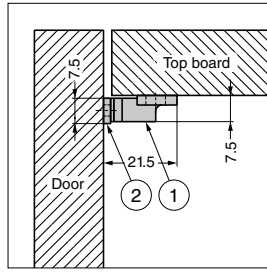
ALUMINIUM FRAME CORNER CONNECTORS

DOOR DAMPERS

**[Installation]**



**[Application Reference]**

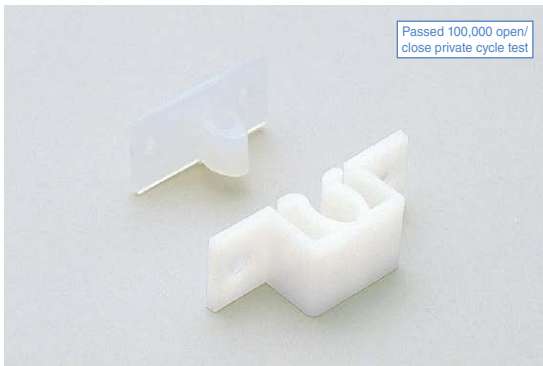


No.	Part Name	Material	Colour
①	Body	POM	Natural/Black
②	Striker	PA	

RHS	CAD	Item Code	Item Name	A	P <sub>1</sub>	E	G	P <sub>2</sub>	L	d <sub>1</sub>	d <sub>2</sub>	Push-in Force N	Push-in Force kgf	Pulling Force N	Pulling Force kgf	Weight (g)	Box (pcs)	Carton (pcs)
		140-050-046	JC-24	24	17	7	22	15.7	2	2.5×5.5	2.5	28	2.9	23	2.3	1.5	100	2000
		140-916-119	JC-24B									25	2.6	21	2.1		100	2000
		140-051-018	JC-26	26	18	6	24.5	17	2.5	3.3×6	3.3	17	1.7	13	1.3	2	100	5000

# KNUCKLE CATCH (MORTISE TYPE) JCU

TEST METHOD 10



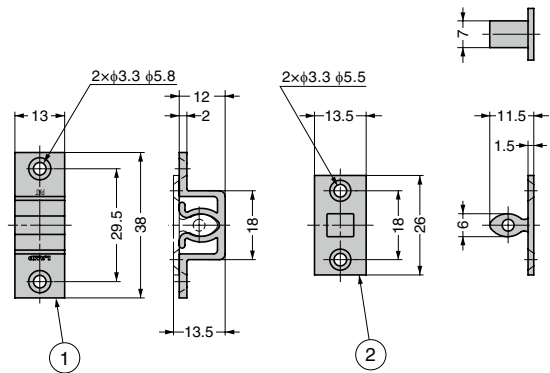
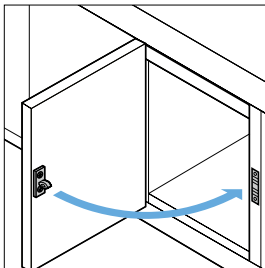
● Durable and reliable.  
● For overlay doors.

**[Remarks]**

● The push-in force and pulling force may vary for ±20-30%.. Please check with the actual item.

● The body colour is different from the striker.

**[Application Example]**



No.	Part Name	Material	Colour
①	Body	POM	Natural
②	Striker	PA	

RHS	CAD	Item Code	Item Name	Push-in Force N	Push-in Force kgf	Pulling Force N	Pulling Force kgf	Weight (g)	Box (pcs)	Carton (pcs)
		140-051-020	JCU	18	1.8	17	1.7	3.5	50	1000