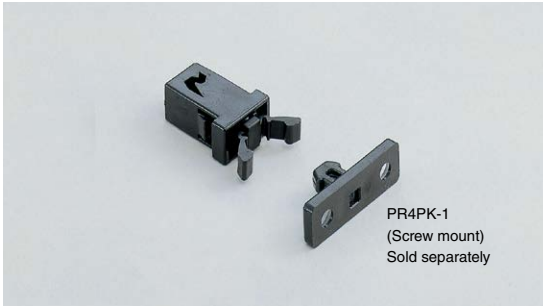
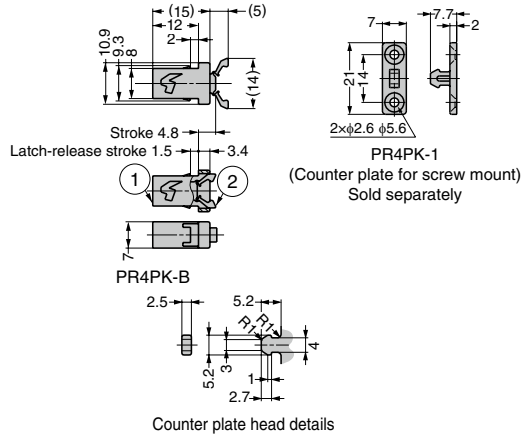


## NON-MAGNETIC MINI TOUCH LATCH PR4PK-B Snap-in Installation

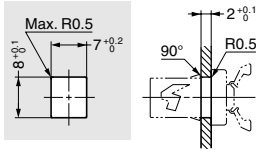


PR4PK-1 (Screw mount)  
Sold separately

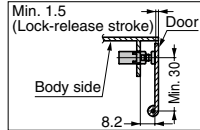
- Snap-in type (body, counter plate for snap-in).
- No handle needed, just push to open/close.
- Lightly push to open the door. When closing, arm will catch the counter plate (sold separately) and hold the door by lightly pushing, too.



### [Cut Out Dimensions for Body]



### [Combination with Counter Plate for Screw Mount]



### [Body]

RHS	CAD	Item Code	Item Name	Retaining Force N	Retaining Force kgf	Door Thickness	Weight (g)	Box (pcs)	Carton (pcs)
		140-050-118	PR4PK-B	12	1.2	2	0.7	1000	10000

### [Counter Plate] Sold Separately

RHS	CAD	Item Code	Item Name	Product Name	Material	Weight (g)	Box (pcs)	Carton (pcs)
		140-059-019	PR4PK-1	Counter Plate for Screw Mount	POM	0.4	-	1000

No.	Part Name	Material	Colour
①	Body	POM	Black
②	Arm	PA	

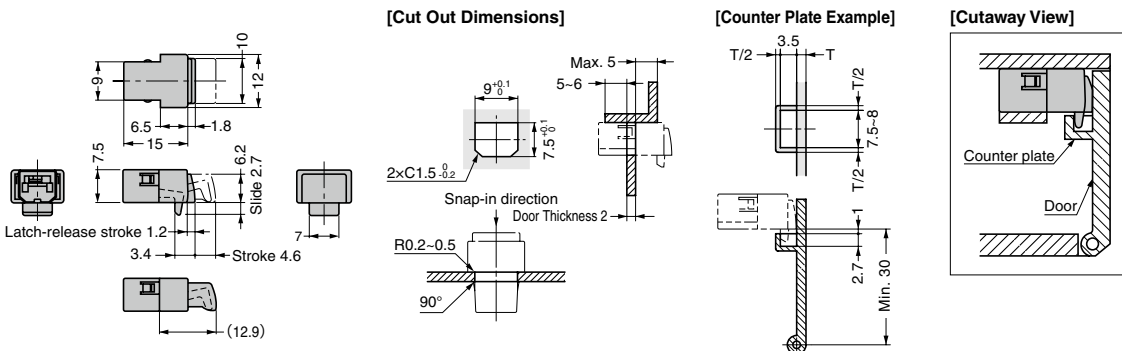
## NON-MAGNETIC MINI TOUCH LATCH NS2 Snap-in Installation



- Miniature design is ideal for small door applications.
- Latch is less likely to be damaged even if forcibly removing the door when locked.
- Snap-in type.
- No handle needed, just push to open/close.
- Lightly push to open the door. When closing, arm will catch the counter plate and hold the door by lightly pushing, too.

### [Remarks]

- Counter plate not included. Please prepare the counter plate, for example by forming on the door side.



RHS	CAD	Item Code	Item Name	Material	Colour	Door Thickness	Weight (g)	Box (pcs)	Carton (pcs)
		140-059-098	NS2	Polycarbonate	Black	2	1.1	500	-