

FULL EXTENSION SLIDE ESR10 For Heavy Duty

LOAD CAPACITY 1785-2667 N/pair

L=R SUS



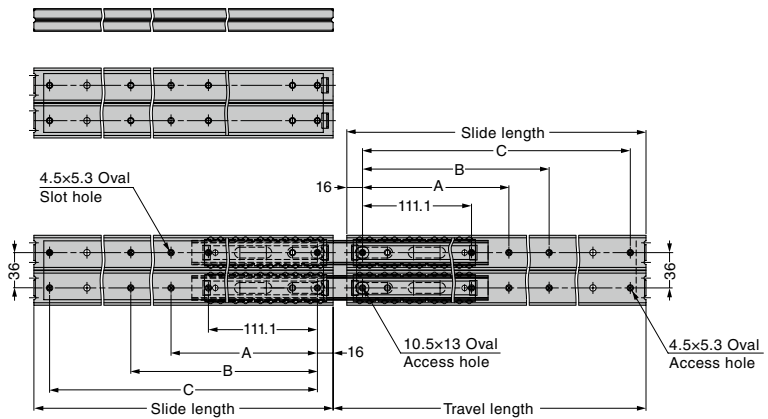
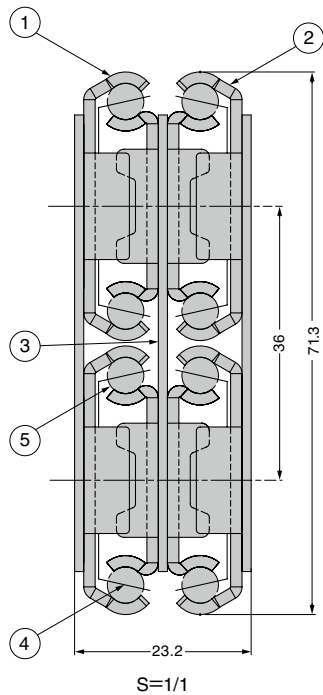
- Full extension (3 members).

[Remarks]

- Be sure to read the "Cautions"

[Recommended Screws]

- M4 round head screw



No.	Part Name	Material	Finish
①	Outer Member	Stainless Steel (SUS304)	Polished
②	Inner Member		
③	Intermediate Member		-
④	Retainer		-
⑤	Balls		-

Sold by piece.

RoHS	CAD	Item Code	Item Name	Slide Length	Travel Length	A	B	C	Load Capacity N/pair	Load Capacity kgf/pair	Weight (kg/pc)	Box (pcs)	Carton (pcs)
		190-110-419	ESR10-12	305	319	-	149.2	273	2667	272	1.7	8	-
		190-110-420	ESR10-14	355.8	369.8		200	323.8	2628	268	1.9	8	-
		190-110-421	ESR10-16	406.6	420.6		250.8	374.6	2540	259	2.4	6	-
		190-110-422	ESR10-18	457.4	471.4	212.7	301.6	425.4	2452	250	2.5	6	-
		190-110-423	ESR10-20	508.2	522.2	238.1	352.4	476.2	2363	241	2.8	6	-
		190-110-424	ESR10-22	559	573	263.5	403.2	527	2246	229	3.1	6	-
		190-110-425	ESR10-24	609.8	623.8	288.9	454	577.8	2118	216	3.5	4	-
		190-110-426	ESR10-26	660.6	674.6	314.3	504.8	628.6	1961	200	3.8	4	-
		190-110-427	ESR10-28	711.4	725.4	339.7	555.6	679.4	1785	182	4	4	-

Refer to : P.549