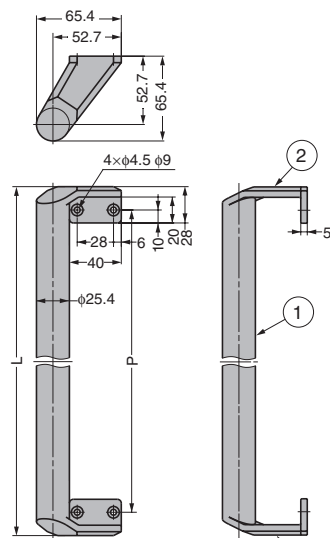


STAINLESS STEEL DOOR HANDLE MP

SUS316



No.	Part Name	Material
①	Pipe	Stainless Steel (SUS316)
②	Strike Plate (L)	Stainless Steel (SCS14)
③	Strike Plate (R)	Stainless Steel (SCS14)

- Simple design and front screw mount.
- Other handle sizes are possible at surcharge. For lot quantity and available lengths, please contact local representatives.

[Applications]

- Railway vehicles, specially-equipped vehicles, ships, large doors, and auxiliary handrails, etc.

[Recommended Screws]

- Countersunk head screw M4
- Countersunk head tapping screw 4
- Countersunk head wood screw 4.1

[Application Example]



LARGE HANDLES

HANDLES (FRONT SCREW MOUNT)

HANDLES (BACK SCREW MOUNT)

RECESSED PULLS

PULLS & KNOBS

LATCH HANDLES

RoHS	CAD	Item Code	Item Name	Material	Finish	L	P	Weight (g)	Box (pcs)	Carton (pcs)
CE	3D	100-010-500	MP-500	Stainless Steel (SUS316)	Polished	500	464	1000	2	20
CE	3D	100-010-501	MP-750			750	714	1300	2	16
CE	3D	100-010-502	MP-1000			1000	964	1600	2	12

STAINLESS STEEL HANDLE MG SEMI Compliance

TEST METHOD 1

NSF

SUS316



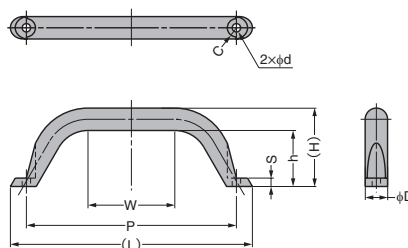
- Compliant with SEMI standard (SEMI S8-0701).
- Passed 1960N (200kgf) load capacity test.
- MG-270T option passed 2700N (270kgf) load capacity test.
- Larger height and width allows for easy gripping with gloved hand.
- For mounting screws, truss head can be used. (Screws not included)

[Applications]

- Semiconductor manufacturing equipment, special vehicles, large doors, and transport equipment, etc.

[Recommended Screws]

- MG-150: Hexagon socket head cap screw M5
- MG-190, MG-250: Hexagon socket head cap screw M6
- MG-230T, MG-270T, MG-300T: Hexagon socket head cap screw M8



RoHS	CAD	Item Code	Item Name	Material	Finish	L	H	P	D	W	h	S	C	d	Weight (g)	Box (pcs)	Carton (pcs)	
CE	3D	100-010-483	MG-150	Stainless Steel (SUS316)	Polished	172.8	56	150	16	62	40	6	R6.5	6	295	10	40	
CE	3D	100-010-484	MG-190			216.7	63	190	18	92	45	50	10	R9	7	460	5	20
CE	3D	100-010-485	MG-250			275.5	68	250	145	595	5					20		
CE	3D	100-021-952	MG-230T			260	70	230	20	129	10	10	R9.5	9	665	5	20	
CE	3D	100-048-361	MG-270T			302	76	270	26	158					1330	1	6	
CE	3D	100-021-953	MG-300T			330	70	300	20	199	820	5	20					